



VANCEROLL
Idler Catalog



Distribuidor oficial

CONTENT

CEMA B

- P01 Troughing Idlers (Equal Length Rollers)
- P02 Rubber Cushion Impact Troughing Idlers
- P03 Return Idlers
- P03 Flat Idlers
- P03 Rubber Cushion Return Idlers
- P04 Self-Aligning Troughing Idlers
- P04 Self-Aligning Return Idlers
- P05 Offset Center Roller Idlers

CEMA C

Troughing Idlers (Equal Length Rollers) - 4"

- P06 Diameter Troughing Idlers (Equal Length
- P07 Rollers) - 5" Diameter Troughing Idlers (Equal
- P08 Length Rollers) - 6" Diameter Return Idlers
- P09 Flat Idlers
- P09 Rubber Cushion Impact Troughing Idlers - 4"
- P10 Diameter Rubber Cushion Impact Troughing
- P11 Idlers - 5" Diameter Rubber Cushion Impact
- P12 Troughing Idlers - 6" Diameter Rubber Cushion
- P13 Return Idlers
- P13 Self-Aligning Return Idlers
- P14 Self-Aligning Troughing Idlers - 4" Diameter
- P15 Self-Aligning Troughing Idlers - 5" Diameter
- P16 Self-Aligning Troughing Idlers - 6" Diameter
- P17 Troughing Idlers (Unequal Length Rollers)
- P18 Offset Center Roller Idlers
- P19 Feeder / Picking Troughing Idlers

CEMA D

- P20 Troughing Idlers (Equal Length Rollers)
- P21 Return Idlers
- P21 Flat Idlers
- P22 Rubber Cushion Impact Troughing Idlers
- P23 Rubber Cushion Return Idlers
- P23 Rubber Cushion Flat Idlers
- P24 Self-Aligning Troughing Idlers
- P25 Self-Aligning Return Idlers
- P25 Feeder / Picking Troughing Idlers
- P26 Troughing Idlers (Unequal Length Rollers)

CEMA E

- P27 Troughing Idlers (Equal Length Rollers)
- P28 Rubber Cushion Impact Troughing Idlers
- P28 Rubber Cushion Return Idlers
- P29 Self-Aligning Troughing Idlers
- P30 Return Idlers
- P30 Rubber Cushion Flat Idlers
- P30 Flat Idlers
- P30 Return Aligning Idlers

- P31 CEMA B & CEMA C Replacement Idler
- P32 Rollers CEMA D & CEMA E Replacement
- Idler Rollers





VANCEROLL

PRODUCT DISPLAY



STEEL ROLLER



HDPE ROLLER



CARRIER ROLLER



RUBBER DISC ROLLER



TROUGHING CARRIER ROLLER

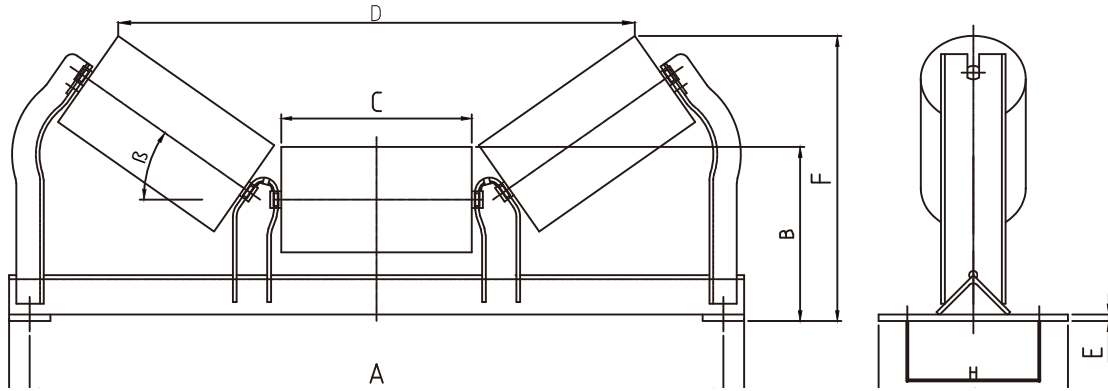


SELF ALIGNING CARRIER ROLLER



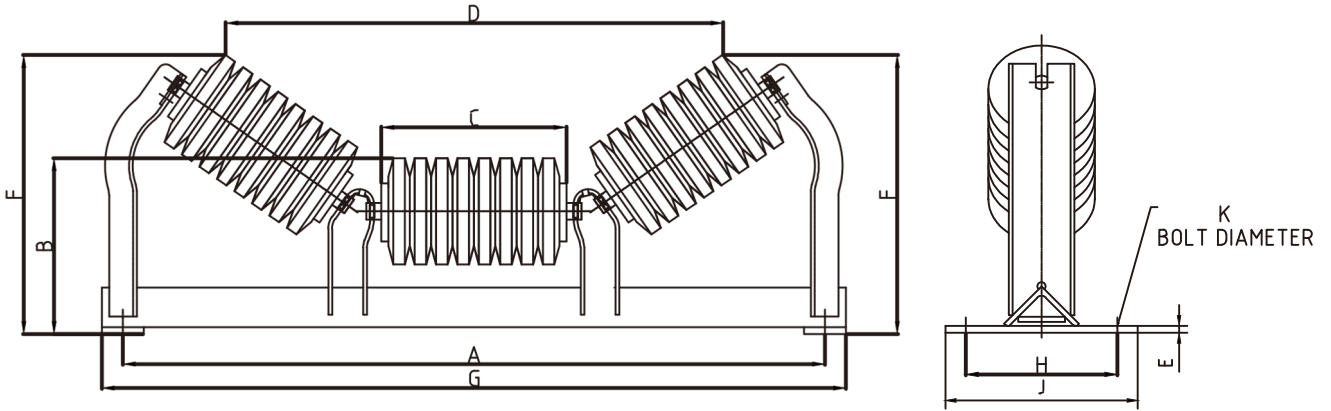
TROUGHING IMPACT ROLLER

TRoughing IDLERS (EQUAL LENGTH ROLLERS - 4" & 5" DIAMETER)



	PART NUMBER		BW	A	B		C	D		E	F		G	H	J	K	WT	
	4"	5"			4"	5"		4"	5"		4"	5"					4"	5"
20°	B4-20E-14	B5-20E-14	14	23	7	7 1/2	6 1/16	17 11/16	17 1/4	3/16	9	9 3/8	25	6	8	1/2	24	28
	B4-20E-16	B5-20E-16	16	25	7	7 1/2	6 1/16	17 11/16	17 1/4	3/16	9	9 3/8	27	6	8	1/2	25	30
	B4-20E-18	B5-20E-18	18	27	7	7 1/2	7 1/16	21 11/16	20 3/4	3/16	9 3/8	9 1/2	29	6	8	1/2	26	32
	B4-20E-20	B5-20E-20	20	29	7	7 1/2	7 11/16	22 7/8	22 9/16	3/16	9 5/8	10 1/16	31	6	8	1/2	29	34
	B4-20E-24	B5-20E-24	24	33	7	7 1/2	9 1/16	27 3/8	27 1/16	3/16	10 1/16	10 5/8	35	6	8	1/2	31	39
	B4-20E-30	B5-20E-30	30	39	7	7 1/2	11 1/16	33 11/16	33 5/16	3/16	10 15/16	11 3/8	41	6	8	1/2	39	48
	B4-20E-36	B5-20E-36	36	45	7	7 1/2	13 1/16	39 3/4	39 7/16	3/16	11 5/8	12 1/8	47	6	8	1/2	45	55
	B4-20E-42	B5-20E-42	42	51	7 1/2	8	15 1/16	45 9/16	45 1/4	1/4	12 11/16	13 1/8	53	7 1/2	9 1/2	5/8	57	72
	B4-20E-48	B5-20E-48	48	57	7 1/2	8	17 1/16	51 11/16	51 5/16	1/4	13 3/8	13 7/8	59	7 1/2	9 1/2	5/8	64	80
35°	B4-35E-18	B5-35E-18	18	27	7	7 1/2	7 1/16	19 5/16	18 11/16	3/16	11	11 7/16	29	6	8	1/2	28	34
	B4-35E-20	B5-35E-20	20	29	7	7 1/2	7 11/16	20 15/16	20 3/8	3/16	11 3/8	11 13/16	31	6	8	1/2	30	37
	B4-35E-24	B5-35E-24	24	33	7	7 1/2	9 1/16	25 1/16	24 1/2	3/16	12 5/16	12 11/16	35	6	8	1/2	34	41
	B4-35E-30	B5-35E-30	30	39	7	7 1/2	11 1/16	30 13/16	30 1/4	3/16	13 9/16	14	41	6	8	1/2	42	51
	B4-35E-36	B5-35E-36	36	45	7	7 1/2	13 1/16	36 7/16	35 7/8	3/16	14 13/16	15 3/16	47	6	8	1/2	48	58
	B4-35E-42	B5-35E-42	42	51	7 1/2	8	15 1/16	41 11/16	41 1/4	1/4	16 3/8	16 13/16	53	7 1/2	9 1/2	5/8	61	73
	B4-35E-48	B5-35E-48	48	57	7 1/2	8	17 1/16	47 5/16	48 5/16	1/4	17 5/8	18	59	7 1/2	9 1/2	5/8	68	81
45°	B4-45E-18	B5-45E-18	18	27	7	7 1/2	7 1/16	18	17 5/16	3/16	12 1/16	12 7/16	29	6	8	1/2	30	35
	B4-45E-20	B5-45E-20	20	29	7	7 1/2	7 11/16	19 1/2	18 13/18	3/16	12 1/2	12 13/16	31	6	8	1/2	31	38
	B4-45E-24	B5-45E-24	24	33	7	7 1/2	9 1/16	23 5/16	22 9/16	3/16	13 9/16	13 15/16	35	6	8	1/2	35	44
	B4-45E-30	B5-45E-30	30	39	7	7 1/2	11 1/16	28 9/16	27 7/8	3/16	15 3/16	15 1/2	41	6	8	1/2	43	52
	B4-45E-36	B5-45E-36	36	45	7	7 1/2	13 1/16	33 11/16	33	3/16	16 11/16	17	47	6	8	1/2	50	60
	B4-45E-42	B5-45E-42	42	51	7 1/2	8	15 1/16	38 1/2	37 13/16	1/4	18 9/16	18 7/8	53	7 1/2	9 1/2	5/8	62	75
	B4-45E-48	B5-45E-48	48	57	7 1/2	8	17 1/16	43 5/8	42 15/16	1/4	19 9/16	20 3/8	59	7 1/2	9 1/2	5/8	71	82

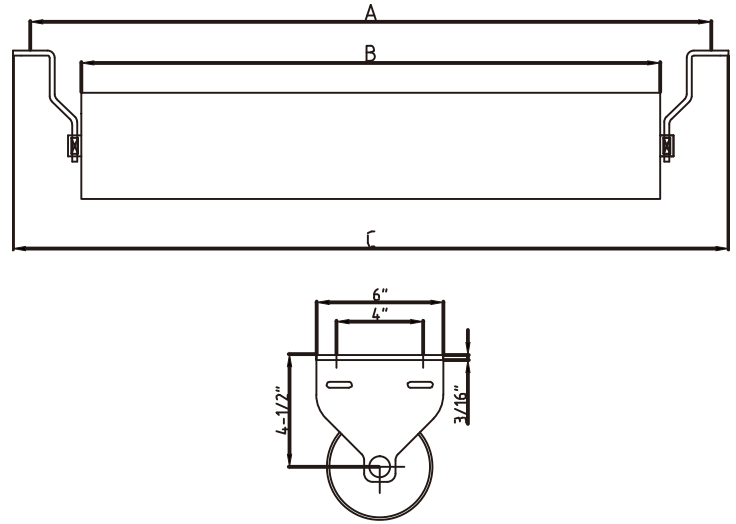
RUBBER CUSHION IMPACT TROUGHING IDLERS-4" &5" DIAMETER



	PART NUMBER		BW	A	B		C	D		E	F		G	H	J	K	WT	
	4"	5"			4"	5"		4"	5"		4"	5"					4"	5"
20°	B4-20EI-18	B5-20EI-18	18	27	7	7 1/2	7 1/16	20 9/16	20 1/4	1/4	9 1/4	9 3/8	29	6	8	1/2	34	41
	B4-20EI-20	B5-20EI-20	20	29	7	7 1/2	7 11/16	22 3/8	22 1/16	1/4	9 1/2	9 15/16	31	6	8	1/2	35	42
	B4-20EI-24	B5-20EI-24	24	33	7	7 1/2	9 1/16	26 7/8	26 9/16	1/4	9 15/16	10 1/2	35	6	8	1/2	42	50
	B4-20EI-30	B5-20EI-30	30	39	7	7 1/2	11 1/16	33 3/16	32 13/16	1/4	10 13/16	11 1/4	41	6	8	1/2	53	61
	B4-20EI-36	B5-20EI-36	36	45	7	7 1/2	13 1/16	39 1/4	38 15/16	1/4	11 1/2	12	47	6	8	1/2	69	76
	B4-20EI-42	B5-20EI-42	42	51	7 1/2	8	15 1/16	45 1/16	44 3/4	5/16	12 9/16	13	53	7 1/2	9 1/2	5/8	88	97
	B4-20EI-48	B5-20EI-48	48	57	7 1/2	8	17 1/16	51 3/16	50 13/16	5/16	13 1/4	13 3/4	59	7 1/2	9 1/2	5/8	101	108
35°	B4-35EI-18	B5-35EI-18	18	27	7	7 1/2	7 1/16	18 15/16	18 5/16	1/4	10 7/8	11 5/16	29	6	8	1/2	36	43
	B4-35EI-20	B5-35EI-20	20	29	7	7 1/2	7 11/16	20 9/16	20	1/4	11 1/4	11 1/16	31	6	8	1/2	37	44
	B4-35EI-24	B5-35EI-24	24	33	7	7 1/2	9 1/16	24 11/16	24 1/8	1/4	12 3/16	12 9/16	35	6	8	1/2	44	52
	B4-35EI-30	B5-35EI-30	30	39	7	7 1/2	11 1/16	30 7/16	29 7/8	1/4	13 7/16	13 7/8	41	6	8	1/2	55	63
	B4-35EI-36	B5-35EI-36	36	45	7	7 1/2	13 1/16	36 1/16	35 1/2	1/4	14 11/16	15 1/16	47	6	8	1/2	71	78
	B4-35EI-42	B5-35EI-42	42	51	7 1/2	8	15 1/16	41 5/16	40 3/4	5/16	16 1/4	16 11/16	53	7 1/2	9 1/2	5/8	90	99
	B4-35EI-48	B5-35EI-48	48	57	7 1/2	8	17 1/16	46 15/16	46 3/8	5/16	17 1/2	17 7/8	59	7 1/2	9 1/2	5/8	103	110
45°	B4-45EI-18	B5-45EI-18	18	27	7	7 1/2	7 1/16	17 5/8	16 15/16	1/4	11 7/8	12 11/16	29	6	8	1/2	39	43
	B4-45EI-20	B5-45EI-20	20	29	7	7 1/2	7 11/16	19 1/8	18 7/16	1/4	12 1/3	12 5/8	31	6	8	1/2	38	45
	B4-45EI-24	B5-45EI-24	24	33	7	7 1/2	9 1/16	22 15/16	22 3/16	1/4	13 3/8	13 3/4	35	6	8	1/2	46	54
	B4-45EI-30	B5-45EI-30	30	39	7	7 1/2	11 1/16	27 15/16	27 1/2	1/4	15	15 5/16	41	6	8	1/2	57	65
	B4-45EI-36	B5-45EI-36	36	45	7	7 1/2	13 1/16	33 5/16	32 5/8	1/4	16 1/2	16 13/16	47	6	8	1/2	73	81
	B4-45EI-42	B5-45EI-42	42	51	7 1/2	8	15 1/16	38 1/8	37 7/16	5/16	18 3/8	18 11/16	53	7 1/2	9 1/2	5/8	92	101
	B4-45EI-48	B5-45EI-48	48	57	7 1/2	8	17 1/16	43 1/4	42 9/16	5/16	19 3/8	20 3/16	59	7 1/2	9 1/2	5/8	105	112

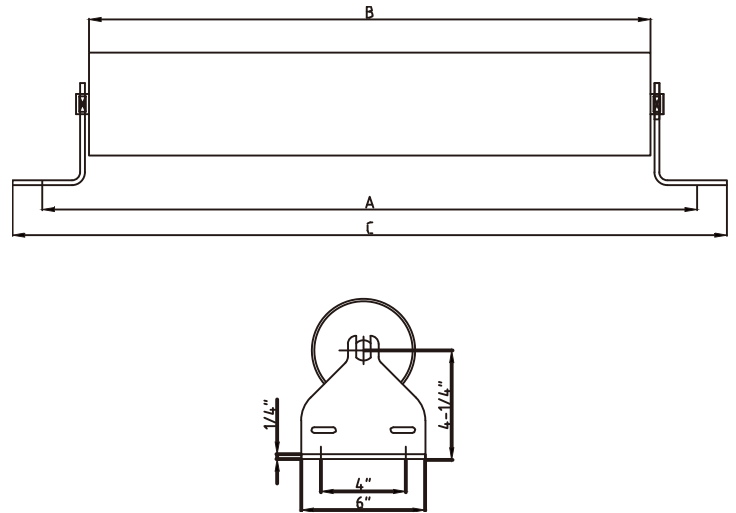
RETURN IDLER - 4" & 5" DIAMETER

PART NUMBER		BW	A	B	C	WT	
4"	5"					4"	5"
B4-RET-14	B5-RET-14	14	23	17 5/16	24 1/2	16	19
B4-RET-16	B5-RET-16	16	25	19 5/16	26 1/2	17	21
B4-RET-18	B5-RET-18	18	27	21 5/16	28 1/2	18	23
B4-RET-20	B5-RET-20	20	29	23 5/16	30 1/2	19	24
B4-RET-24	B5-RET-24	24	33	27 5/16	34 1/2	22	27
B4-RET-30	B5-RET-30	30	39	33 5/16	40 1/2	24	32
B4-RET-36	B5-RET-36	36	45	39 5/16	46 1/2	29	36
B4-RET-42	B5-RET-42	42	51	45 5/16	52 1/2	34	41
B4-RET-48	B5-RET-48	48	57	51 5/16	58 1/2	36	44



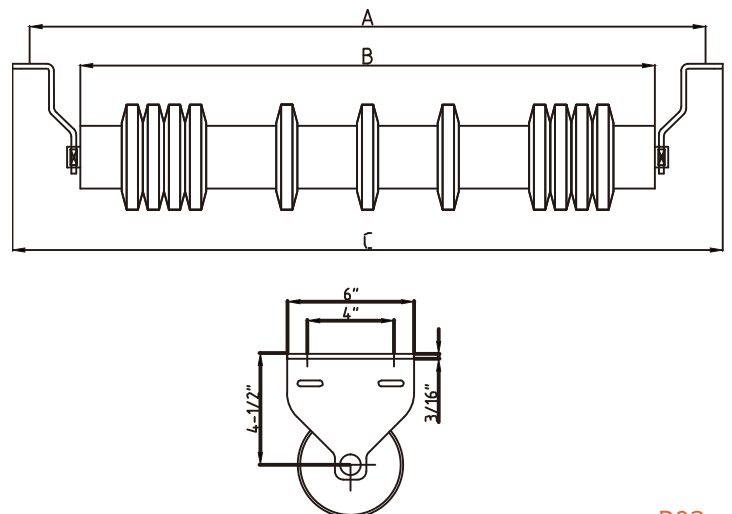
FLAT IDLERS - 4" & 5" DIAMETER

PART NUMBER		BW	A	B	C	WT	
4"	5"					4"	5"
B4-FLT-14	B5-FLT-14	14	23	17 5/16	24 15/16	16	19
B4-FLT-16	B5-FLT-16	16	25	19 5/16	26 15/16	17	21
B4-FLT-18	B5-FLT-18	18	27	21 5/16	28 15/16	18	23
B4-FLT-20	B5-FLT-20	20	29	23 5/16	30 15/16	19	24
B4-FLT-24	B5-FLT-24	24	33	27 5/16	34 15/16	21	28
B4-FLT-30	B5-FLT-30	30	39	33 5/16	40 15/16	25	32
B4-FLT-36	B5-FLT-36	36	45	39 5/16	46 15/16	28	37
B4-FLT-42	B5-FLT-42	42	51	45 5/16	52 15/16	31	41
B4-FLT-48	B5-FLT-48	48	57	51 5/16	58 15/16	34	46

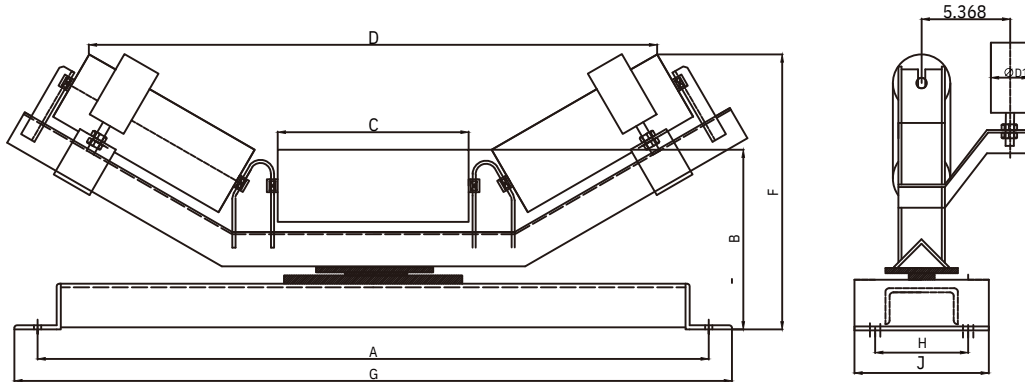


RUBBER CUSHION RETURN IDLERS - 4" & 5" DIAMETER

PART NUMBER		BW	A	B	C	WT	
4"	5"					4"	5"
B4-RETI-18	B5-RETI-18	18	27	21 7/16	28 7/16	21	26
B4-RETI-24	B5-RETI-24	24	33	27 7/16	34 7/16	24	30
B4-RETI-30	B5-RETI-30	30	39	33 7/16	40 7/16	27	35
B4-RETI-36	B5-RETI-36	36	45	39 7/16	46 7/16	33	39
B4-RETI-42	B5-RETI-42	42	51	45 7/16	52 7/16	35	42
B4-RETI-48	B5-RETI-48	48	57	51 7/16	58 7/16	37	48

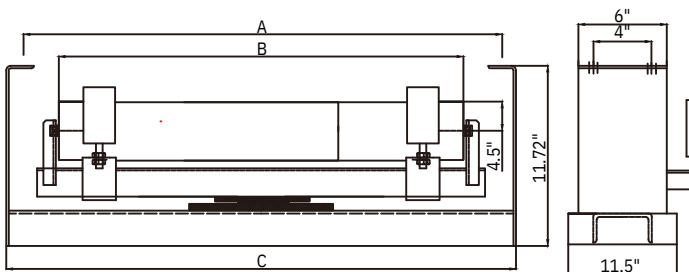


SELF-ALIGNING TROUGHING IDLERS - 4" & 5" DIAMETER



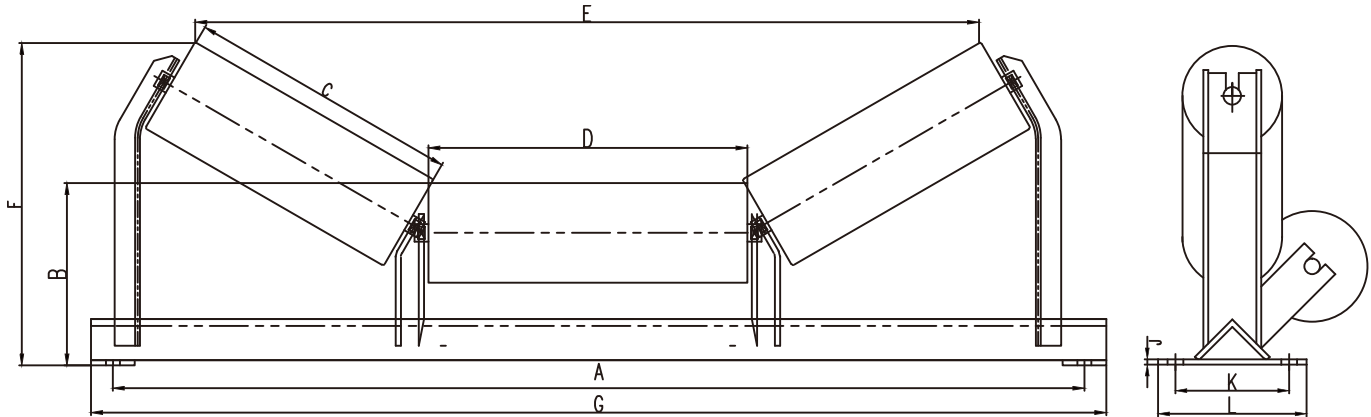
	PART NUMBER		BW	A	B		C	D		E	F		G	H	J	K	WT	
	4"	5"			4"	5"		4"	5"		4"	5"					4"	5"
20°	B4-20EA-18	B5-20EA-18	18	27	8 7/8	9 3/8	7 1/16	21 15/16	21 5/8	30 5/8	11 4/9	11 7/8	28 7/8	6	11 1/2	5/8	52	61
	B4-20EA-24	B5-20EA-24	24	33	8 7/8	9 3/8	9 1/16	27 11/16	27 3/8	36 3/8	12 1/8	12 4/7	34 7/8	6	11 1/2	5/8	70	76
	B4-20EA-30	B5-20EA-30	30	39	8 15/16	9 7/16	11 1/16	33 7/16	33 1/8	42 3/16	12 7/8	13 1/3	40 7/8	6	11 1/2	5/8	92	95
	B4-20EA-36	B5-20EA-36	36	45	8 15/16	9 7/16	13 1/16	39 1/5	38 7/8	47 15/16	13 9/16	14	46 7/8	6	11 1/2	5/8	97	100
	B4-20EA-42	B5-20EA-42	42	51	9 5/16	9 13/16	15 1/16	44 15/16	44 5/8	53 15/16	14 5/8	15	52 7/8	6	11 1/2	5/8	118	127
	B4-20EA-48	B5-20EA-48	48	57	9 5/16	9 13/16	17 1/16	50 11/16	50 3/8	59 1/16	15 1/3	15 3/4	58 7/8	6	11 1/2	5/8	150	161
35°	B4-35EA-18	B5-35EA-18	18	27	8 7/8	9 3/8	7 1/16	19 5/16	18 11/16	32 13/16	13	13 1/2	28 7/8	6	11 1/2	5/8	53	62
	B4-35EA-24	B5-35EA-24	24	33	8 7/8	9 3/8	9 1/16	25 1/16	24 1/2	38 3/16	14 1/8	14 11/16	34 7/8	6	11 1/2	5/8	71	77
	B4-35EA-30	B5-35EA-30	30	39	8 15/16	9 7/16	11 1/16	30 13/16	30 1/4	44 3/16	15 5/16	15 7/8	40 7/8	6	11 1/2	5/8	94	97
	B4-35EA-36	B5-35EA-36	36	45	8 15/16	9 7/16	13 1/16	36 7/16	35 7/8	48 15/16	16 7/16	17	46 7/8	6	11 1/2	5/8	99	102
	B4-35EA-42	B5-35EA-42	42	51	9 5/16	9 13/16	15 1/16	41 11/16	41 1/4	55	17 15/16	18 1/2	52 7/8	6	11 1/2	5/8	121	128
	B4-35EA-48	B5-35EA-48	48	57	9 5/16	9 13/16	17 1/16	47 5/16	56 5/16	60 5/8	19 1/8	19 2/3	58 7/8	6	11 1/2	5/8	153	162
45°	B4-45EA-18	B5-45EA-18	18	27	8 7/8	9 3/8	7 1/16	18	17 15/16	31 11/16	14 1/8	14 1/2	28 7/8	6	11 1/2	5/8	54	63
	B4-45EA-24	B5-45EA-24	24	33	8 7/8	9 3/8	9 1/16	23 5/16	22 9/16	36 13/16	15 9/16	15 15/16	34 7/8	6	11 1/2	5/8	72	78
	B4-45EA-30	B5-45EA-30	30	39	8 15/16	9 7/16	11 1/16	28 9/16	27 7/8	43 5/16	17	17 3/8	40 7/8	6	11 1/2	5/8	100	99
	B4-45EA-36	B5-45EA-36	36	45	8 15/16	9 7/16	13 1/16	33 11/16	33	49 11/16	18 3/8	18 3/4	46 7/8	6	11 1/2	5/8	104	104
	B4-45EA-42	B5-45EA-42	42	51	9 5/16	9 13/16	15 1/16	38 1/2	37 13/16	54	20 3/16	20 9/16	52 7/8	6	11 1/2	5/8	124	129
	B4-45EA-48	B5-45EA-48	48	57	9 5/16	9 13/16	17 1/16	43 5/8	47 15/16	59 1/8	21 5/8	22	58 7/8	6	11 1/2	5/8	157	163

SELF-ALIGNING RETURN IDLERS-4" & 5" DIAMETER



PART NUMBER		BW	A	B	C	D	WT	
4"	5"						4"	5"
B4-RETA-18	B5-RETA-18	18	27	21 5/16	29 3/4	23 5/8	77	82
B4-RETA-24	B5-RETA-24	24	33	27 5/16	35 3/4	29 5/8	86	93
B4-RETA-30	B5-RETA-30	30	39	33 5/16	41 3/4	35 5/8	100	110
B4-RETA-36	B5-RETA-36	36	45	39 5/16	47 3/4	41 5/8	110	114
B4-RETA-42	B5-RETA-42	42	51	45 5/16	53 3/4	47 5/8	137	145
B4-RETA-48	B5-RETA-48	48	57	51 5/16	59 3/4	53 5/8	144	152

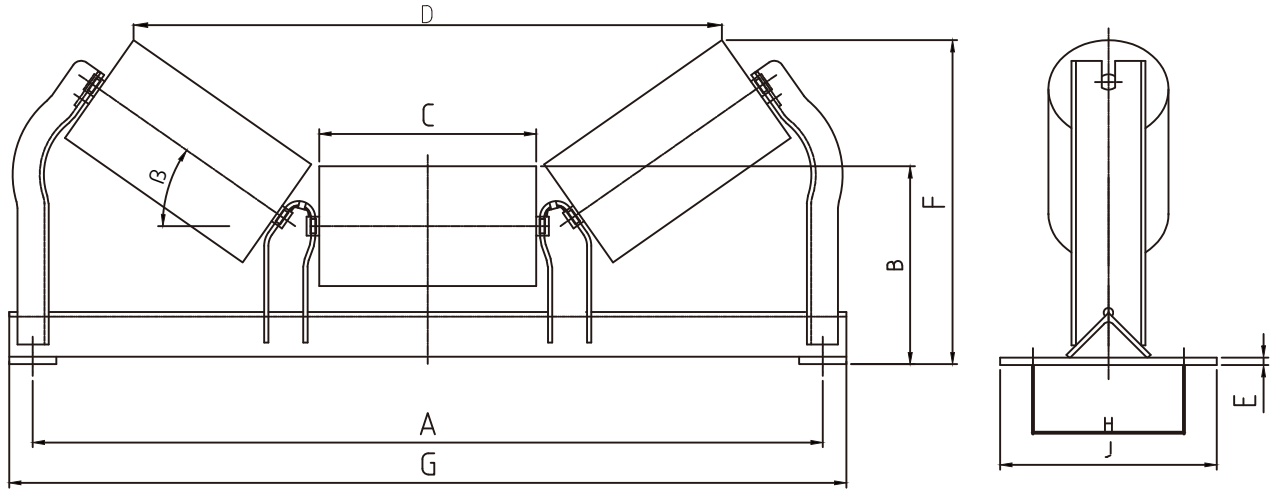
OFFSET CENTER ROLLER IDLERS - 4" & 5" DIAMETER



	PART NUMBER		BW	B		C	D	E		F		G	H	J	K	L	WT	
	4"	5"		4"	5"			4"	5"	4"	5"						4"	5"
20°	B4-2GO-18	B5-20GO-18	18	27	7	7 1/2	7 1/16	9 1/16	21 1/16	21 7/8	9 3/8	9 1/5	29 1/2	3/16	6	8	31	37
	B4-20GO-24	B5-20GO-24	24	33	7	7 1/2	9 1/16	11 1/16	27 1/2	27 1/16	10 1/16	10 5/8	35 1/2	3/16	6	8	36	43
	B4-20GO-30	B5-20GO-30	30	39	7	7 1/2	11 1/16	13 1/16	33 1/4	33 5/16	10 15/16	10 5/8	41 1/2	3/16	6	8	43	52
	B4-20GO-36	B5-20GO-36	36	45	7	7 1/2	13 1/16	15 1/16	39	38 11/16	11 5/8	12 1/8	47 1/2	3/16	6	8	49	59
	B4-20GO-42	B5-20GO-42	42	51	7 1/2	8	15 1/16	17 1/16	44 3/4	44 7/16	12 11/16	13 1/8	53 5/8	3/16	6	8	63	74
	B4-20GO-48	B5-20GO-48	48	57	7 1/2	8	17 1/16	19 1/16	50 1/2	50 3/16	13 3/8	13 7/8	59 5/8	3/16	6	8	69	82
35°	B4-35GO-18	B5-35GO-18	18	27	7	7 1/2	7 1/16	9 1/16	19 1/2	19	11	11 7/16	29 1/2	3/16	6	8	31	38
	B4-35GO-24	B5-35GO-24	24	33	7	7 1/2	9 1/16	11 1/16	24 13/16	24 1/2	12 5/16	12 11/16	35 1/2	1/4	6	8	37	45
	B4-35GO-30	B5-35GO-30	30	39	7	7 1/2	11 1/16	13 1/16	30 1/16	29 1/2	13 9/16	14	41 1/2	1/4	6	8	45	54
	B4-35GO-36	B5-35GO-36	36	45	7	7 1/2	13 1/16	15 1/16	35 5/16	34 13/16	14 13/16	15 3/16	47 1/2	1/4	6	8	51	61
	B4-35GO-42	B5-35GO-42	42	51	7 1/2	8	15 1/16	17 1/16	40 5/8	40 1/16	16 3/8	16 1/2	53 5/8	1/4	6	8	65	76
	B4-35GO-48	B5-35GO-48	48	57	7 1/2	8	17 1/16	19 1/16	45 7/8	45 3/8	17 1/3	17 2/3	59 5/8	1/4	6	8	71	84
45°	B4-45GO-18	B5-45GO-18	18	27	7	7 1/2	7 1/16	9 1/16	18	17 5/16	12 1/16	12 7/16	29 1/2	1/4	6	8	32	38
	B4-45GO-24	B5-45GO-24	24	33	7	7 1/2	9 1/16	11 1/16	22 15/16	22 1/4	13 9/16	13 15/16	35 1/2	1/4	6	8	38	45
	B4-45GO-30	B5-45GO-30	30	39	7	7 1/2	11 1/16	13 1/16	27 3/4	27 1/8	14 13/16	15 1/8	41 1/2	1/4	6	8	46	55
	B4-45GO-36	B5-45GO-36	36	45	7	7 1/2	13 1/16	15 1/16	32 9/16	31 15/16	16 3/16	16 9/16	47 1/2	1/4	6	8	52	62
	B4-45GO-42	B5-45GO-42	42	51	7 1/2	8	15 1/16	17 1/16	37 1/5	36 3/4	18	18 5/16	53 5/8	1/4	6	8	66	78
	B4-45GO-48	B5-45GO-48	48	57	7 1/2	8	17 1/16	19 1/16	42 1/4	41 7/16	19 9/16	19 3/4	59 5/8	1/4	6	8	73	86

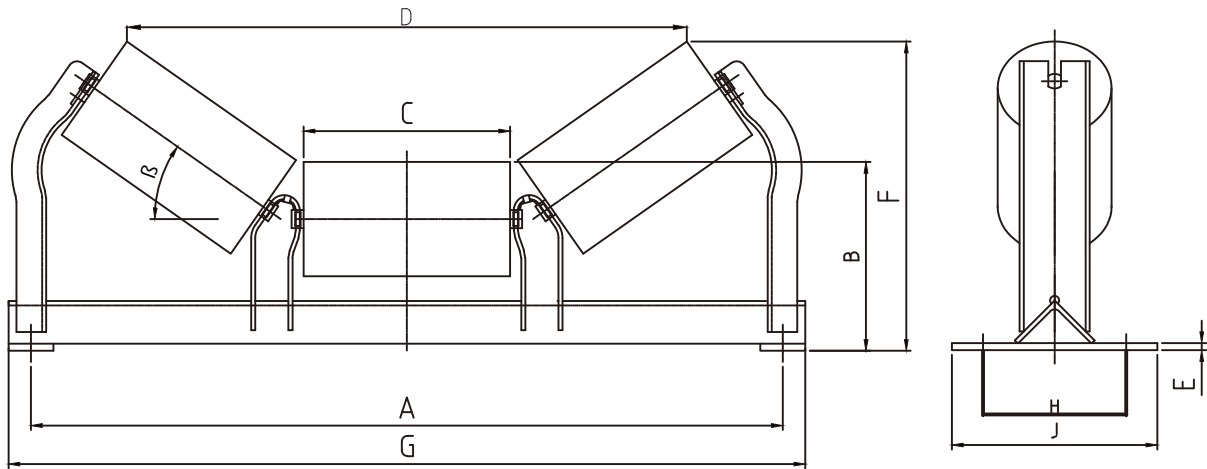


TROUGHING IDLERS (EQUAL LENGTH ROLLERS) - 4" DIAMETER



	PART NUMBER	BW	A	B	C	D	E	F	G	H	J	K	WT
20°	C4-20E-18	18	27	8	7 1/16	22 3/16	1/4	10 1/2	29	6	8	1/2	38
	C4-20E-24	24	33	8	9 1/16	27 15/16	5/16	11 3/16	35	6	9 1/2	5/8	40
	C4-20E-30	30	39	8	11 1/16	33 11/16	5/16	11 13/16	41	6	9 1/2	5/8	46
	C4-20E-36	36	45	8	13 1/16	39 7/16	5/16	12 5/8	47	6	9 1/2	5/8	53
	C4-20E-42	42	51	8 1/2	15 1/16	45 3/16	5/16	13 13/16	53	7 1/2	9 1/2	5/8	69
	C4-20E-48	48	57	8 1/2	17 1/16	51	5/16	14 3/8	59	7 1/2	9 1/2	5/8	76
	C4-20E-54	54	63	8 1/2	19 1/16	56 3/4	3/8	15 1/8	65 1/2	9	11	5/8	87
	C4-20E-60	60	69	8 1/2	21 1/16	62 1/2	3/8	15 3/4	71 1/2	9	11	5/8	98
35°	C4-35E-18	18	27	8	7 1/16	20	1/4	12 1/4	29	6	8	1/2	35
	C4-35E-24	24	33	8	9 1/16	25 5/16	5/16	13 3/8	35	6	9 1/2	5/8	42
	C4-35E-30	30	39	8	11 1/16	30 9/16	5/16	14 9/16	41	6	9 1/2	5/8	50
	C4-35E-36	36	45	8	13 1/16	35 13/16	5/16	15 11/16	47	6	9 1/2	5/8	56
	C4-35E-42	42	51	8 1/2	15 1/16	41 1/8	5/16	17 5/16	53	7 1/2	9 1/2	5/8	71
	C4-35E-48	48	57	8 1/2	17 1/16	46 3/8	5/16	18 7/16	59	7 1/2	9 1/2	5/8	78
	C4-35E-54	54	63	8 1/2	19 1/16	51 11/16	3/8	19 5/8	65 1/2	9	11	5/8	91
	C4-35E-60	60	69	8 1/2	21 1/16	56 15/16	3/8	20 3/4	71 1/2	9	11	5/8	101
45°	C4-45E-18	18	27	8	7 1/16	18 5/8	1/4	13 5/16	29	6	8	1/2	42
	C4-45E-24	24	33	8	9 1/16	22 3/16	5/16	14 11/16	35	6	9 1/2	5/8	44
	C4-45E-30	30	39	8	11 1/16	27 11/16	5/16	16 13/16	41	6	9 1/2	5/8	50
	C4-45E-36	36	45	8	13 1/16	31 7/8	5/16	18 3/16	47	6	9 1/2	5/8	57
	C4-45E-42	42	51	8 1/2	15 1/16	36 2/3	5/16	20	53	7 1/2	9 1/2	5/8	76
	C4-45E-48	48	57	8 1/2	17 1/16	41 1/2	5/16	21 7/16	59	7 1/2	9 1/2	5/8	80
	C4-45E-54	54	63	8 1/2	19 1/16	46 1/2	3/8	23 1/4	65 1/2	9	11	5/8	92
	C4-45E-60	60	69	8 1/2	21 1/16	51 3/16	3/8	24 5/8	71 1/2	9	11	5/8	108

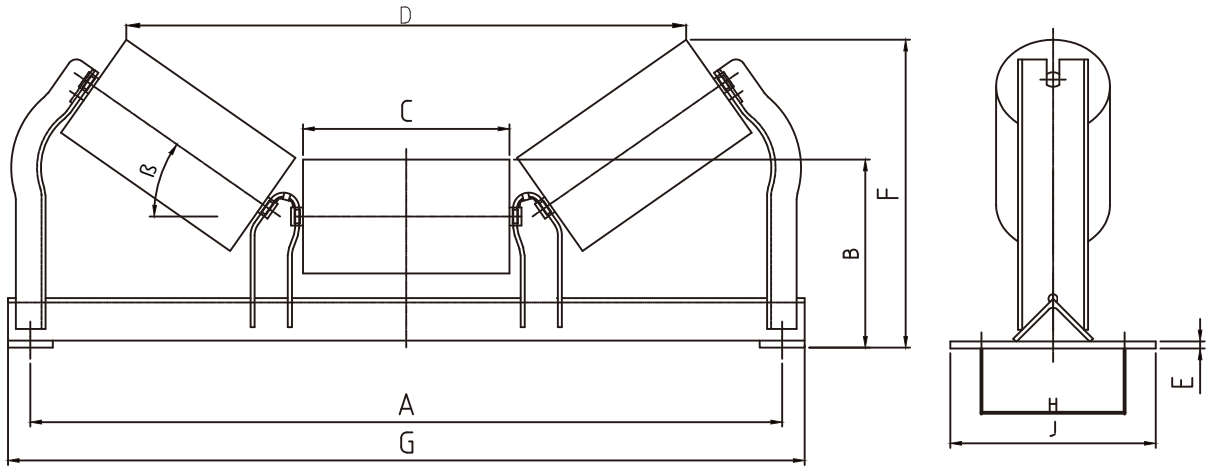
TRoughing IDLERS (EQUAL LENGTH ROLLERS) - 5" DIAMETER



	PART NUMBER	BW	A	B	C	D	E	F	G	H	J	K	WT
20°	C5-20E-18	18	27	8 1/2	7 1/16	21 7/8	1/4	11	29	6	8	1/2	40
	C5-20E-24	24	33	8 1/2	9 1/16	27 5/8	5/16	11 11/16	35	6	9 1/2	5/8	45
	C5-20E-30	30	39	8 1/2	11 1/16	33 3/8	5/16	12 3/8	41	6	9 1/2	5/8	56
	C5-20E-36	36	45	8 1/2	13 1/16	39 1/8	5/16	13 1/16	47	6	9 1/2	5/8	64
	C5-20E-42	42	51	9	15 1/16	44 7/8	5/16	14 3/16	53	7 1/2	9 1/2	5/8	79
	C5-20E-48	48	57	9	17 1/16	50 5/8	5/16	14 7/8	59	7 1/2	9 1/2	5/8	88
	C5-20E-54	54	63	9	19 1/16	56 7/16	3/8	15 3/4	65	9	11	5/8	100
	C5-20E-60	60	69	9	21 1/16	62 3/16	3/8	16 1/2	71 1/2	9	11	5/8	113
35°	C5-35E-18	18	27	8 1/2	7 1/16	19 7/16	1/4	12 3/8	29	6	8	1/2	41
	C5-35E-24	24	33	8 1/2	9 1/16	24 11/16	5/16	13 13/16	35	6	9 1/2	5/8	49
	C5-35E-30	30	39	8 1/2	11 1/16	30	5/16	14 13/16	41	6	9 1/2	5/8	59
	C5-35E-36	36	45	8 1/2	13 1/16	35 1/4	5/16	16 1/8	47	6	9 1/2	5/8	66
	C5-35E-42	42	51	9	15 1/16	40 9/16	5/16	17 11/16	53	7 1/2	9 1/2	5/8	82
	C5-35E-48	48	57	9	17 1/16	45 13/16	5/16	18 7/8	59	7 1/2	9 1/2	5/8	91
	C5-35E-54	54	63	9	19 1/16	51 1/8	3/8	20	65 1/2	9	11	5/8	104
	C5-35E-60	60	69	9	21 1/16	56 3/8	3/8	21 1/5	71 1/2	9	11	5/8	116
45°	C5-45E-18	18	27	8 1/2	7 1/16	17 15/16	1/4	13 3/8	29	6	8	1/2	42
	C5-45E-24	24	33	8 1/2	9 1/16	22 3/4	5/16	15 1/16	35	6	9 1/2	5/8	51
	C5-45E-30	30	39	8 1/2	11 1/16	27 5/8	5/16	16 7/16	41	6	9 1/2	5/8	60
	C5-45E-36	36	45	8 1/2	13 1/16	32 7/16	5/16	17 13/16	47	6	9 1/2	5/8	67
	C5-45E-42	42	51	9	15 1/16	37 1/4	5/16	19 5/8	53	7 1/2	9 1/2	5/8	86
	C5-45E-48	48	57	9	17 1/16	42 1/16	5/16	21 3/16	59	7 1/2	9 1/2	5/8	93
	C5-45E-54	54	63	9	19 1/16	46 15/16	3/8	22 7/8	65 1/2	9	11	5/8	107
	C5-45E-60	60	69	9	21 1/16	51 3/4	3/8	24 1/16	71 1/2	9	11	5/8	120

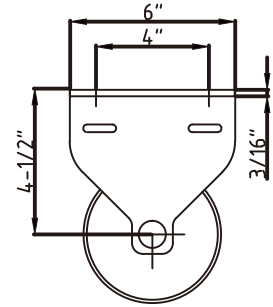
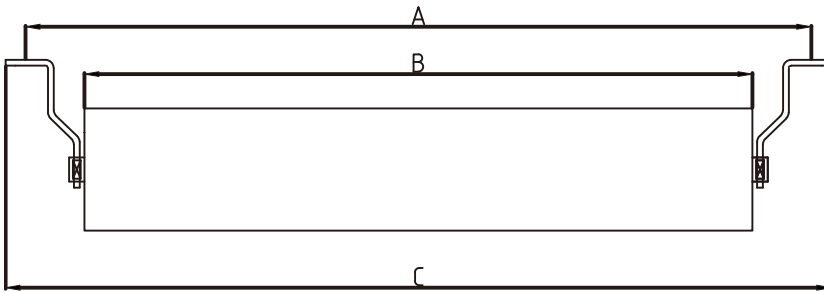


TROUGHING IDLERS (EQUAL LENGTH ROLLERS) - 6" DIAMETER



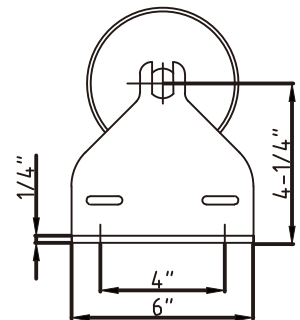
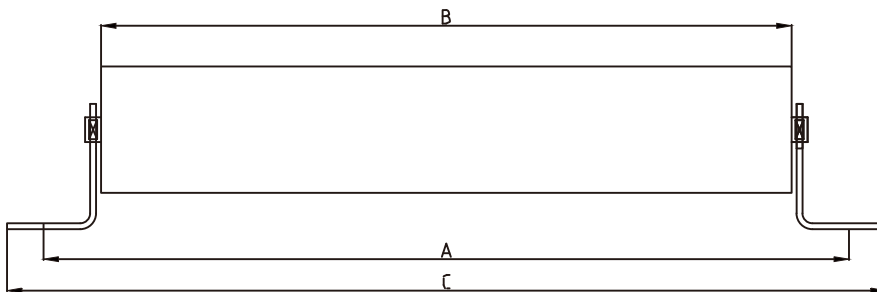
	PART NUMBER	BW	A	B	C	D	E	F	G	H	J	K	WT
20°	C6-20E-18	18	27	9	7 1/16	21 9/16	1/4	11 7/16	29	6	8	1/2	47
	C6-20E-24	24	33	9	9 1/16	27 5/16	5/16	12 1/8	35	6	9 1/2	5/8	57
	C6-20E-30	30	39	9	11 1/16	33 1/16	5/16	12 7/8	41	6	9 1/2	5/8	69
	C6-20E-36	36	45	9	13 1/16	38 13/16	5/16	13 9/16	47	6	9 1/2	5/8	78
	C6-20E-42	42	51	9 1/2	15 1/16	44 9/16	5/16	14 11/16	53	7 1/2	9 1/2	5/8	86
	C6-20E-48	48	57	9 1/2	17 1/16	50 5/16	5/16	15 3/8	59	7 1/2	9 1/2	5/8	107
	C6-20E-54	54	63	9 1/2	19 1/16	56 1/16	3/8	16 1/8	65	9	11	5/8	121
	C6-20E-60	60	69	9 1/2	21 1/16	61 7/8	3/8	16 3/4	71 1/2	9	11	5/8	134
35°	C6-35E-18	18	27	9	7 1/16	18 7/8	1/4	13 1/16	29	6	8	1/2	49
	C6-35E-24	24	33	9	9 1/16	24 1/8	5/16	14 3/16	35	6	9 1/2	5/8	59
	C6-35E-30	30	39	9	11 1/16	29 7/16	5/16	15 3/8	41	6	9 1/2	5/8	71
	C6-35E-36	36	45	9	13 1/16	34 11/16	5/16	16 1/2	47	6	9 1/2	5/8	80
	C6-35E-42	42	51	9 1/2	15 1/16	40	5/16	18 1/8	53	7 1/2	9 1/2	5/8	98
	C6-35E-48	48	57	9 1/2	17 1/16	45 1/4	5/16	19 1/4	59	7 1/2	9 1/2	5/8	109
	C6-35E-54	54	63	9 1/2	19 1/16	50 1/2	3/8	20 7/16	65	9	11	5/8	125
	C6-35E-60	60	69	9 1/2	21 1/16	55 13/16	3/8	21 9/16	71 1/2	9	11	5/8	138
45°	C6-45E-18	18	27	9	7 1/16	17 1/4	1/4	14	29	6	8	1/2	50
	C6-45E-24	24	33	9	9 1/16	22 1/16	5/16	15 7/16	35	6	9 1/2	5/8	61
	C6-45E-30	30	39	9	11 1/16	26 7/8	5/16	16 7/8	41	6	9 1/2	5/8	73
	C6-45E-36	36	45	9	13 1/16	31 3/4	5/16	18 1/4	47	6	9 1/2	5/8	82
	C6-45E-42	42	51	9 1/2	15 1/16	36 9/16	5/16	20 1/8	53	7 1/2	9 1/2	5/8	103
	C6-45E-48	48	57	9 1/2	17 1/16	41 3/8	5/16	21 9/16	59	7 1/2	9 1/2	5/8	111
	C6-45E-54	54	63	9 1/2	19 1/16	46 3/16	3/8	23	65 1/2	9	11	5/8	129
	C6-45E-60	60	69	9 1/2	21 1/16	51	3/8	24 3/8	71 1/2	9	11	5/8	141

RETURN IDLERS - 4" 5" 6" DIAMETER



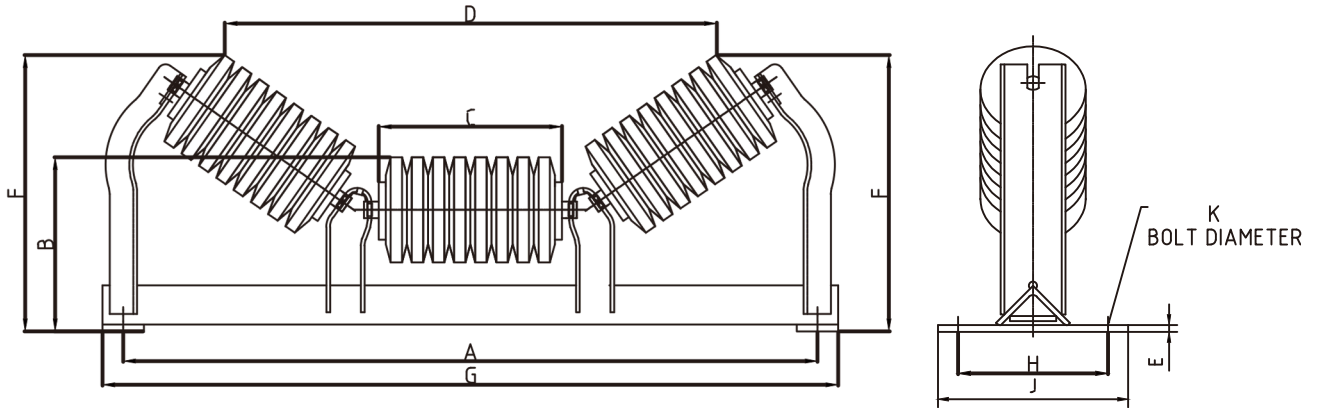
RETURN IDLER 4" PART NUMBER	RETURN IDLER 5" PART NUMBER	RETURN IDLER 6" PART NUMBER	BW	A	B	C	WT		
							4"	5"	6"
C4-RET-18	C5-RET-18	C6-RET-18	18	27	21 5/16	28 3/4	17	22	30
C4-RET-24	C5-RET-24	C6-RET-24	24	33	27 5/16	34 3/4	20	27	36
C4-RET-30	C5-RET-30	C6-RET-30	30	39	33 5/16	40 3/4	23	31	43
C4-RET-36	C5-RET-36	C6-RET-36	36	45	39 5/16	46 3/4	27	35	50
C4-RET-42	C5-RET-42	C6-RET-42	42	51	45 5/16	52 3/4	30	38	56
C4-RET-48	C5-RET-48	C6-RET-48	48	57	51 5/16	58 3/4	33	44	63
C4-RET-54	C5-RET-54	C6-RET-54	54	63	57 5/16	64 3/4	37	49	69
C4-RET-60	C5-RET-60	C6-RET-60	60	69	63 5/16	70 3/4	40	53	76

FLAT IDLERS - 4" 5" 6" DIAMETER



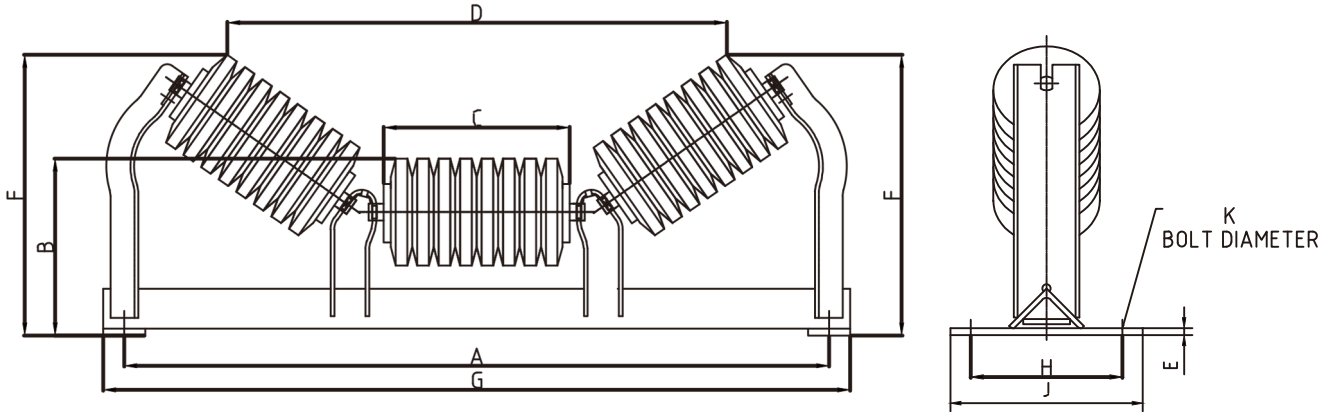
FLAT IDLERS 4" PART NUMBER	FLAT IDLERS 5" PART NUMBER	FLAT IDLERS 6" PART NUMBER	BW	A	B	C	WT		
							4"	5"	6"
C4-FLT-18	C5-FLT-18	C6-FLT-18	18	27	21 5/16	28 3/4	19	25	32
C4-FLT-24	C5-FLT-24	C6-FLT-24	24	33	27 5/16	34 3/4	23	29	39
C4-FLT-30	C5-FLT-30	C6-FLT-30	30	39	33 5/16	40 3/4	26	34	45
C4-FLT-36	C5-FLT-36	C6-FLT-36	36	45	39 5/16	46 3/4	30	39	52
C4-FLT-42	C5-FLT-42	C6-FLT-42	42	51	45 5/16	52 3/4	33	44	59
C4-FLT-48	C5-FLT-48	C6-FLT-48	48	57	51 5/16	58 3/4	36	48	65
C4-FLT-54	C5-FLT-54	C6-FLT-54	54	63	57 5/16	64 3/4	40	53	72
C4-FLT-60	C5-FLT-60	C6-FLT-60	60	69	63 5/16	70 3/4	43	58	79

RUBBER CUSHION IMPACT TROUGHING IDLERS - 4" DIAMETER



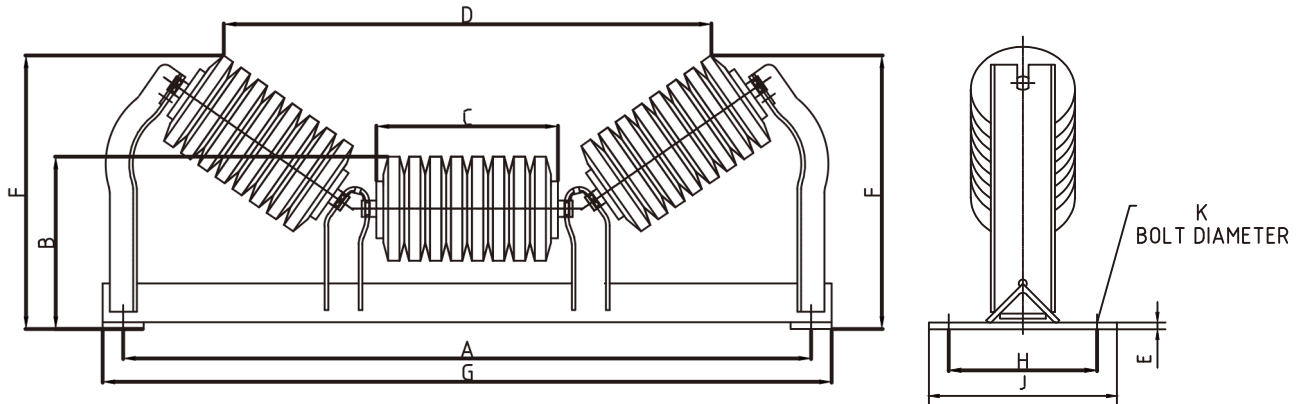
	PART NUMBER	BW	A	B	C	D	E	F	G	H	J	K	WT
20°	C4-20EI-18	18	27	8	7 1/16	21 3/16	1/4	10 3/8	29	6	8	1/2	36
	C4-20EI-24	24	33	8	9 1/16	26 15/16	5/16	11 1/16	35	6	9 1/2	5/8	44
	C4-20EI-30	30	39	8	11 1/16	32 5/8	5/16	11 11/16	41	6	9 1/2	5/8	54
	C4-20EI-36	36	45	8	13 1/16	38 7/16	5/16	12 1/2	47	6	9 1/2	5/8	68
	C4-20EI-42	42	51	8 1/2	15 1/16	44 1/8	5/16	13 11/16	53	7 1/2	9 1/2	5/8	87
	C4-20EI-48	48	57	8 1/2	17 1/16	49 7/8	5/16	14 1/4	59	7 1/2	9 1/2	5/8	96
	C4-20EI-54	54	63	8 1/2	19 1/16	55 11/16	3/8	15	65 1/2	9	11	5/8	110
	C4-20EI-60	60	69	8 1/2	21 1/16	61 3/8	3/8	15 5/8	71 1/2	9	11	5/8	122
35°	C4-35EI-18	18	27	8	7 1/16	19 1/8	1/4	12 1/8	29	6	8	1/2	38
	C4-35EI-24	24	33	8	9 1/16	24 7/16	5/16	13 1/4	35	6	9 1/2	5/8	46
	C4-35EI-30	30	39	8	11 1/16	29 5/8	5/16	14 7/16	41	6	9 1/2	5/8	56
	C4-35EI-36	36	45	8	13 1/16	34 15/16	5/16	15 9/16	47	6	9 1/2	5/8	71
	C4-35EI-42	42	51	8 1/2	15 1/16	40 3/16	5/16	17 3/16	53	7 1/2	9 1/2	5/8	90
	C4-35EI-48	48	57	8 1/2	17 1/16	45 7/16	5/16	18 5/16	59	7 1/2	9 1/2	5/8	99
	C4-35EI-54	54	63	8 1/2	19 1/16	50 3/4	3/8	19 1/2	65 1/2	9	11	5/8	113
	C4-35EI-60	60	69	8 1/2	21 1/16	56	3/8	20 5/8	71 1/2	9	11	5/8	126
45°	C4-45EI-18	18	27	8	7 1/16	18	1/4	13 1/8	29	6	8	1/2	39
	C4-45EI-24	24	33	8	9 1/16	22 13/16	5/16	14 1/2	35	6	9 1/2	5/8	47
	C4-45EI-30	30	39	8	11 1/16	27 9/16	5/16	15 15/16	41	6	9 1/2	5/8	58
	C4-45EI-36	36	45	8	13 1/16	32 7/16	5/16	17 3/8	47	6	9 1/2	5/8	73
	C4-45EI-42	42	51	8 1/2	15 1/16	37 1/4	5/16	19 1/4	53	7 1/2	9 1/2	5/8	92
	C4-45EI-48	48	57	8 1/2	17 1/16	42 1/16	5/16	20 5/8	59	7 1/2	9 1/2	5/8	101
	C4-45EI-54	54	63	8 1/2	19 1/16	46 7/8	3/8	22 1/16	65 1/2	9	11	5/8	116
	C4-45EI-60	60	69	8 1/2	21 1/16	51 11/16	3/8	23 1/2	71 1/2	9	11	5/8	129

RUBBER CUSHION IMPACT TROUGHING IDLERS - 5" DIAMETER



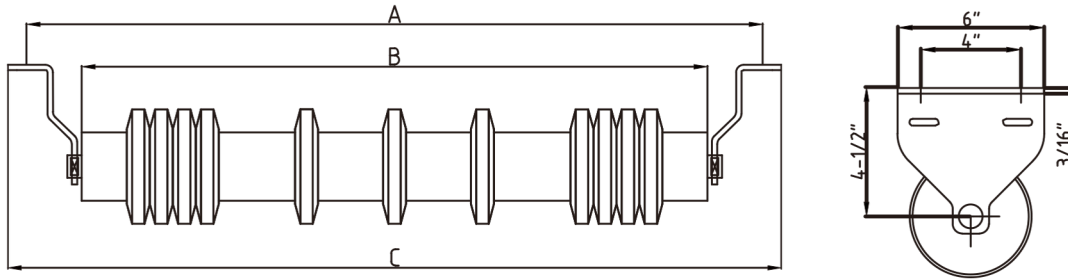
	PART NUMBER	BW	A	B	C	D	E	F	G	H	J	K	WT
20°	C5-20EI-18	18	27	8 1/2	7 1/16	20 7/8	1/4	10 7/8	29	6	8	1/2	41
	C5-20EI-24	24	33	8 1/2	9 1/16	26 5/8	5/16	11 9/16	35	6	9 1/2	5/8	50
	C5-20EI-30	30	39	8 1/2	11 1/16	32 5/16	5/16	12 1/4	41	6	9 1/2	5/8	61
	C5-20EI-36	36	45	8 1/2	13 1/16	38 1/16	5/16	12 15/16	47	6	9 1/2	5/8	76
	C5-20EI-42	42	51	9	15 1/16	43 13/16	5/16	14 1/16	53	7 1/2	9 1/2	5/8	97
	C5-20EI-48	48	57	9	17 1/16	49 9/16	5/16	14 3/4	59	7 1/2	9 1/2	5/8	106
	C5-20EI-54	54	63	9	19 1/16	55 3/8	3/8	15 1/2	65 1/2	9	11	5/8	122
	C5-20EI-60	60	69	9	21 1/16	61 1/16	3/8	16 3/16	71 1/2	9	11	5/8	136
35°	C5-35EI-18	18	27	8 1/2	7 1/16	18 9/16	1/4	12 1/4	29	6	8	1/2	42
	C5-35EI-24	24	33	8 1/2	9 1/16	23 13/16	5/16	13 11/16	35	6	9 1/2	5/8	52
	C5-35EI-30	30	39	8 1/2	11 1/16	29 1/16	5/16	14 11/16	41	6	9 1/2	5/8	63
	C5-35EI-36	36	45	8 1/2	13 1/16	34 3/8	5/16	16	47	6	9 1/2	5/8	79
	C5-35EI-42	42	51	9	15 1/16	39 5/8	5/16	17 9/16	53	7 1/2	9 1/2	5/8	100
	C5-35EI-48	48	57	9	17 1/16	44 7/8	5/16	18 3/4	59	7 1/2	9 1/2	5/8	110
	C5-35EI-54	54	63	9	19 1/16	50 3/16	3/8	19 7/8	65 1/2	9	11	5/8	125
	C5-35EI-60	60	69	9	21 1/16	55 7/16	3/8	21 1/16	71 1/2	9	11	5/8	140
45°	C5-45EI-18	18	27	8 1/2	7 1/16	17 1/4	1/4	13 7/16	29	6	8	1/2	44
	C5-45EI-24	24	33	8 1/2	9 1/16	22 1/16	5/16	14 7/8	35	6	9 1/2	5/8	53
	C5-45EI-30	30	39	8 1/2	11 1/16	26 7/8	5/16	16 5/16	41	6	9 1/2	5/8	65
	C5-45EI-36	36	45	8 1/2	13 1/16	31 11/16	5/16	17 3/4	47	6	9 1/2	5/8	81
	C5-45EI-42	42	51	9	15 1/16	36 1/2	5/16	19 9/16	53	7 1/2	9 1/2	5/8	102
	C5-45EI-48	48	57	9	17 1/16	41 1/3	5/16	21	59	7 1/2	9 1/2	5/8	112
	C5-45EI-54	54	63	9	19 1/16	46 1/5	3/8	22 7/16	65 1/2	9	11	5/8	128
	C5-45EI-60	60	69	9	21 1/16	51	3/8	23 7/8	71 1/2	9	11	5/8	143

RUBBER CUSHION IMPACT TROUGHING IDLERS - 6" DIAMETER



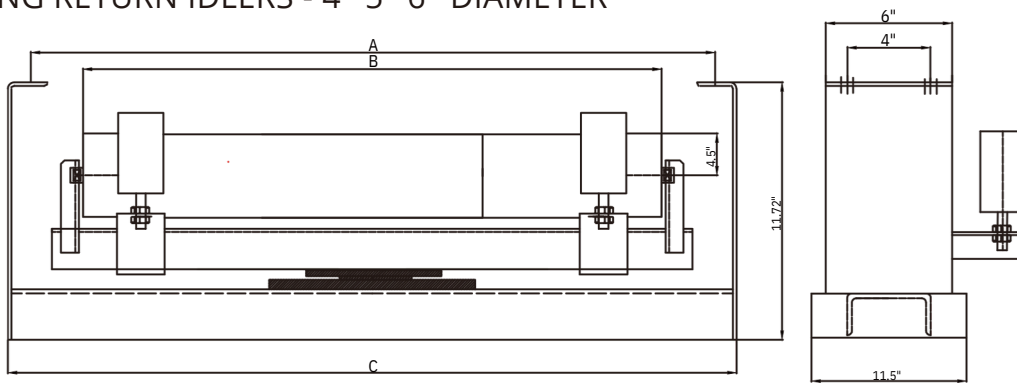
	PART NUMBER	BW	A	B	C	D	E	F	G	H	J	K	WT
20°	C6-20EI-18	18	27	9	7 1/16	20 1/2	1/4	11 5/16	29	6	8	1/2	49
	C6-20EI-24	24	33	9	9 1/16	26 1/4	5/16	12	35	6	9 1/2	5/8	62
	C6-20EI-30	30	39	9	11 1/16	31 15/16	5/16	12 3/4	41	6	9 1/2	5/8	74
	C6-20EI-36	36	45	9	13 1/16	37 3/4	5/16	13 7/16	47	6	9 1/2	5/8	90
	C6-20EI-42	42	51	9 1/2	15 1/16	43 7/16	5/16	14 9/16	53	7 1/2	9 1/2	5/8	111
	C6-20EI-48	48	57	9 1/2	17 1/16	49 3/16	5/16	15 1/4	59	7 1/2	9 1/2	5/8	126
	C6-20EI-54	54	63	9 1/2	19 1/16	55	3/8	15 15/16	65	9	11	5/8	136
	C6-20EI-60	60	69	9 1/2	21 1/16	60 11/16	3/8	16 5/8	71 1/2	9	11	5/8	146
35°	C6-35EI-18	18	27	9	7 1/16	18	1/4	12 15/16	29	6	8	1/2	48
	C6-35EI-24	24	33	9	9 1/16	23 1/4	5/16	14 1/16	35	6	9 1/2	5/8	59
	C6-35EI-30	30	39	9	11 1/16	28 1/2	5/16	15 1/4	41	6	9 1/2	5/8	73
	C6-35EI-36	36	45	9	13 1/16	33 11/16	5/16	16 3/8	47	6	9 1/2	5/8	90
	C6-35EI-42	42	51	9 1/2	15 1/16	39	5/16	18	53	7 1/2	9 1/2	5/8	112
	C6-35EI-48	48	57	9 1/2	17 1/16	44 5/16	5/16	19 1/8	59	7 1/2	9 1/2	5/8	124
	C6-35EI-54	54	63	9 1/2	19 1/16	49 5/8	3/8	20 5/16	65	9	11	5/8	142
	C6-35EI-60	60	69	9 1/2	21 1/16	54 13/16	3/8	21 7/16	71 1/2	9	11	5/8	159
45°	C6-45EI-18	18	27	9	7 1/16	16 4/7	1/4	13 13/16	29	6	8	1/2	50
	C6-45EI-24	24	33	9	9 1/16	21 3/8	5/16	15 1/4	35	6	9 1/2	5/8	61
	C6-45EI-30	30	39	9	11 1/16	26 3/16	5/16	16 11/16	41	6	9 1/2	5/8	74
	C6-45EI-36	36	45	9	13 1/16	31	5/16	18 1/16	47	6	9 1/2	5/8	92
	C6-45EI-42	42	51	9 1/2	15 1/16	35 13/16	5/16	19 15/16	53	7 1/2	9 1/2	5/8	114
	C6-45EI-48	48	57	9 1/2	17 1/16	40 5/8	5/16	21 3/8	59	7 1/2	9 1/2	5/8	127
	C6-45EI-54	54	63	9 1/2	19 1/16	45 1/2	3/8	22 13/16	65 1/2	9	11	5/8	144
	C6-45EI-60	60	69	9 1/2	21 1/16	50 1/4	3/8	24 3/16	71 1/2	9	11	5/8	162

RUBBER CUSHION RETURN IDLER - 4" & 5" & 6" DIAMETER



PART NUMBER 4"	PART NUMBER 5"	PART NUMBER 6"	BW	A	B	C	WT		
							4"	5"	6"
C4-RETI-18	C5-RETI-18	C6-RETI-18	18	27	21 7/16	28 1/2	16	21	23
C4-RETI-24	C5-RETI-24	C6-RETI-24	24	33	27 7/16	34 1/2	19	25	30
C4-RETI-30	C5-RETI-30	C6-RETI-30	30	39	33 7/16	40 1/2	22	30	34
C4-RETI-36	C5-RETI-36	C6-RETI-36	36	45	39 7/16	46 1/2	28	34	40
C4-RETI-42	C5-RETI-42	C6-RETI-42	42	51	45 7/16	52 1/2	30	37	43
C4-RETI-48	C5-RETI-48	C6-RETI-48	48	57	51 7/16	58 1/2	32	43	49
C4-RETI-54	C5-RETI-54	C6-RETI-54	54	63	57 7/16	64 1/2	37	48	53
C4-RETI-60	C5-RETI-60	C6-RETI-60	60	69	63 7/16	70 1/2	39	52	57

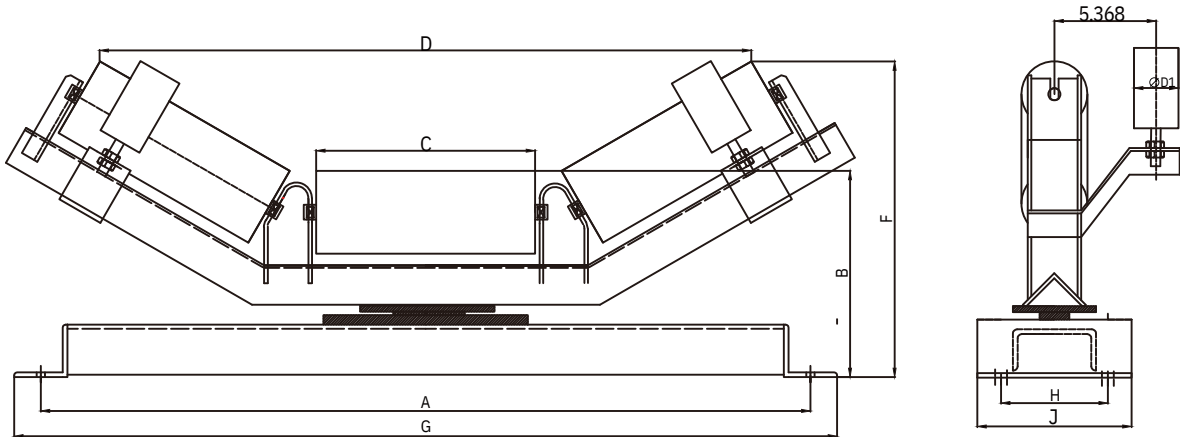
SELF-ALIGNING RETURN IDLERS - 4" 5" 6" DIAMETER



PART NUMBER 4"	PART NUMBER 5"	PART NUMBER 6"	BW	A	B	C	D	WT		
								4"	5"	6"
C4-RETA-18	C5-RETA-18	C6-RETA-18	18	27	21 5/16	29 3/4	23 5/8	72	73	76
C4-RETA-24	C5-RETA-24	C6-RETA-24	24	33	27 5/16	35 3/4	29 5/8	81	83	87
C4-RETA-30	C5-RETA-30	C6-RETA-30	30	39	33 5/16	41 3/4	35 5/8	87	96	99
C4-RETA-36	C5-RETA-36	C6-RETA-36	36	45	39 5/16	47 3/4	41 5/8	102	107	125
C4-RETA-42	C5-RETA-42	C6-RETA-42	42	51	45 5/16	53 3/4	47 5/8	129	133	135
C4-RETA-48	C5-RETA-48	C6-RETA-48	48	57	51 5/16	59 3/4	53 5/8	141	146	148
C4-RETA-54	C5-RETA-54	C6-RETA-54	54	63	57 5/16	65 3/4	59 5/8	164	167	170
C4-RETA-60	C5-RETA-60	C6-RETA-60	60	69	63 5/16	71 3/4	65 5/8	178	181	188

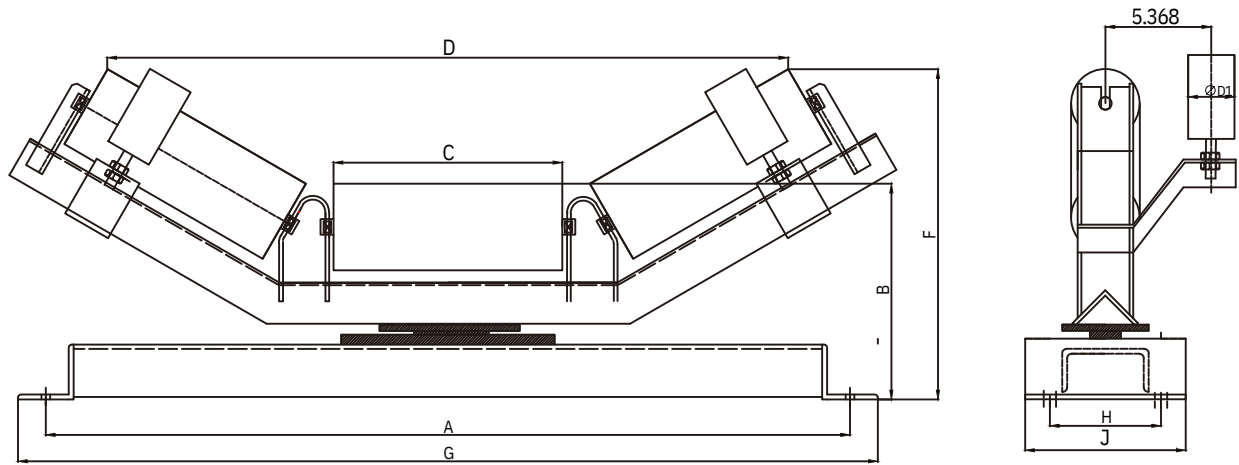


SELF-ALIGNING TROUGHING IDLERS - 4" DIAMETER



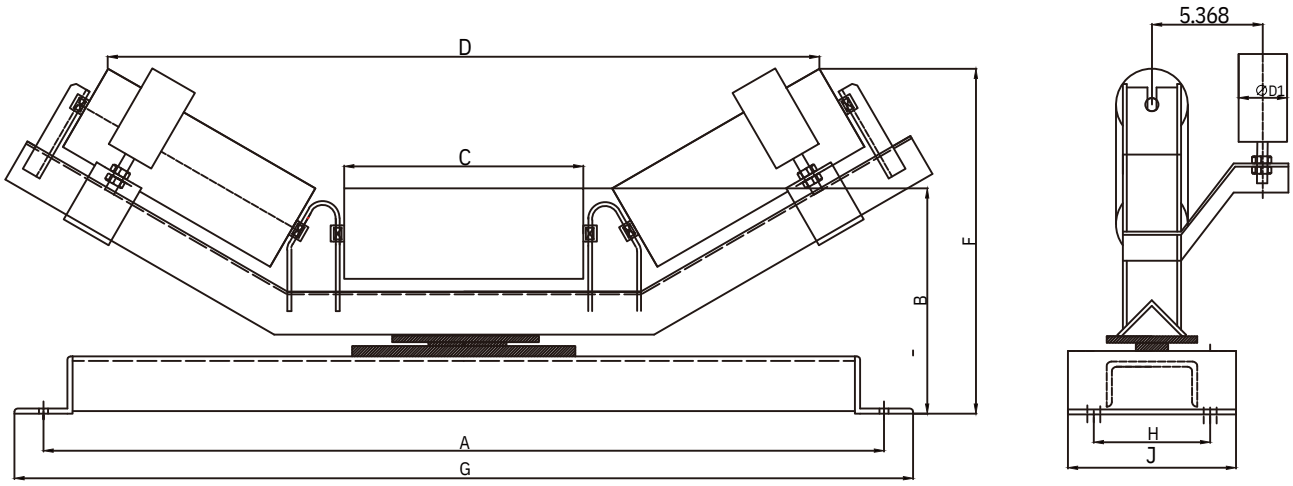
	PART NUMBER	BW	A	B	C	D	E	F	G	H	J	K	WT
20°	C4-20EA-18	18	27	8 7/8	7 1/16	21 15/16	30 5/8	11 7/16	28 7/8	6	11 1/2	5/8	72
	C4-20EA-24	24	33	8 7/8	9 1/16	27 11/16	36 3/8	12 1/8	34 7/8	6	11 1/2	5/8	84
	C4-20EA-30	30	39	8 15/16	11 1/16	33 7/16	42 3/16	12 7/8	40 7/8	6	11 1/2	5/8	102
	C4-20EA-36	36	45	8 15/16	13 1/16	39 3/16	47 15/16	13 9/16	46 7/8	6	11 1/2	5/8	111
	C4-20EA-42	42	51	9 5/16	15 1/16	44 15/16	53 15/16	14 5/8	52 7/8	6	11 1/2	5/8	132
	C4-20EA-48	48	57	9 5/16	17 1/16	50 11/16	59 1/16	15 5/16	58 7/8	6	11 1/2	5/8	157
	C4-20EA-54	54	63	9 7/16	19 1/16	56 7/16	67 7/16	16 1/8	64 7/8	6	11 1/2	5/8	167
	C4-20EA-60	60	69	9 7/16	21 1/16	62 3/16	71 3/16	16 13/16	70 7/8	6	11 1/2	5/8	181
35°	C4-35EA-18	18	27	8 7/8	7 1/16	20	32 13/16	12 15/16	28 7/8	6	11 1/2	5/8	75
	C4-35EA-24	24	33	8 7/8	9 1/16	25 5/16	38 3/16	14 1/8	34 7/8	6	11 1/2	5/8	85
	C4-35EA-30	30	39	8 15/16	11 1/16	30 9/16	44 3/16	15 5/16	40 7/8	6	11 1/2	5/8	103
	C4-35EA-36	36	45	8 15/16	13 1/16	35 13/16	48 15/16	16 7/16	46 7/8	6	11 1/2	5/8	113
	C4-35EA-42	42	51	9 5/16	15 1/16	41 1/8	55	17 15/16	52 7/8	6	11 1/2	5/8	134
	C4-35EA-48	48	57	9 5/16	17 1/16	46 3/8	60 5/8	19 1/8	58 7/8	6	11 1/2	5/8	159
	C4-35EA-54	54	63	9 7/16	19 1/16	51 11/16	65 1/4	20 3/8	64 7/8	6	11 1/2	5/8	171
	C4-35EA-60	60	69	9 7/16	21 1/16	56 15/16	70 9/16	21 9/16	70 7/8	6	11 1/2	5/8	185
45°	C4-45EA-18	18	27	8 7/8	7 1/16	18 5/8	31 11/16	14 1/8	28 7/8	6	11 1/2	5/8	78
	C4-45EA-24	24	33	8 7/8	9 1/16	23 1/2	36 13/16	15 9/16	34 7/8	6	11 1/2	5/8	86
	C4-45EA-30	30	39	8 15/16	11 1/16	28 5/16	45 5/16	17	40 7/8	6	11 1/2	5/8	104
	C4-45EA-36	36	45	8 15/16	13 1/16	33 1/8	49 11/16	18 3/8	46 7/8	6	11 1/2	5/8	115
	C4-45EA-42	42	51	9 5/16	15 1/16	37 15/16	54	20 3/16	52 7/8	6	11 1/2	5/8	136
	C4-45EA-48	48	57	9 5/16	17 1/16	42 13/16	59 1/8	21 5/8	58 7/8	6	11 1/2	5/8	160
	C4-45EA-54	54	63	9 7/16	19 1/16	47 5/8	63 3/4	23 1/8	64 7/8	6	11 1/2	5/8	175
	C4-45EA-60	60	69	9 7/16	21 1/16	52 7/16	68 5/16	24 9/16	70 7/8	6	11 1/2	5/8	189

SELF-ALIGNING TROUGHING IDLERS - 5" DIAMETER



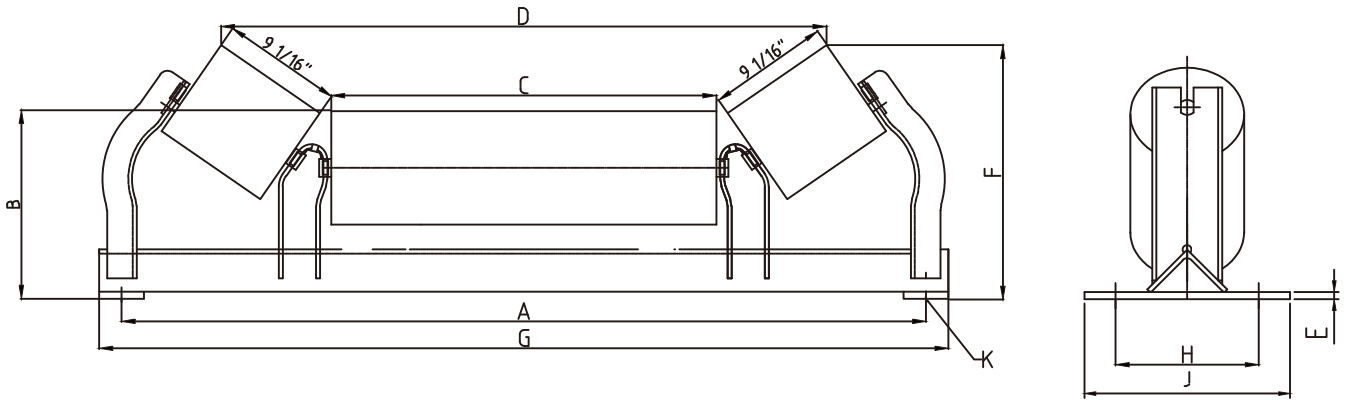
	PART NUMBER	BW	A	B	C	D	E	F	G	H	J	K	WT
	C5-20EA-18	18	27	9 3/8	7 1/16	21 5/8	30 5/8	11 7/8	28 7/8	6	11 1/2	5/8	74
20°	C5-20EA-24	24	33	9 3/8	9 1/16	27 3/8	36 3/8	12 9/16	34 7/8	6	11 1/2	5/8	86
	C5-20EA-30	30	39	9 7/16	11 1/16	33 1/8	42 3/16	13 15/16	40 7/8	6	11 1/2	5/8	104
	C5-20EA-36	36	45	9 7/16	13 1/16	38 7/8	47 15/16	14	46 7/8	6	11 1/2	5/8	114
	C5-20EA-42	42	51	9 13/16	15 1/16	44 5/8	53 15/16	15 1/16	52 7/8	7 1/2	11 1/2	5/8	134
	C5-20EA-48	48	57	9 13/16	17 1/16	50 3/5	59 1/16	15 3/4	58 7/8	7 1/2	11 1/2	5/8	160
	C5-20EA-54	54	63	9 15/16	19 1/16	56 1/8	67 7/16	16 9/16	64 7/8	9	11 1/2	5/8	170
	C5-20EA-60	60	69	9 15/16	21 1/16	61 15/16	71 3/16	17 1/4	70 7/8	9	11 1/2	5/8	185
	35°	C5-35EA-18	18	27	9 3/8	7 1/16	19 7/16	32 13/16	13 1/2	28 7/8	6	11 1/2	5/8
C5-35EA-24		24	33	9 3/8	9 1/16	24 11/16	38 3/16	14 11/16	34 7/8	6	11 1/2	5/8	87
C5-35EA-30		30	39	9 7/16	11 1/16	30	44 3/16	15 7/8	40 7/8	6	11 1/2	5/8	105
C5-35EA-36		36	45	9 7/16	13 1/16	35 1/4	48 15/16	17	46 7/8	6	11 1/2	5/8	115
C5-35EA-42		42	51	9 13/16	15 1/16	40 9/16	55	18 1/2	52 7/8	7 1/2	11 1/2	5/8	136
C5-35EA-48		48	57	9 13/16	17 1/16	45 13/16	60 5/8	19 11/16	58 7/8	7 1/2	11 1/2	5/8	161
C5-35EA-54		54	63	9 15/16	19 1/16	51 1/8	65 1/4	20 15/16	64 7/8	9	11 1/2	5/8	173
C5-35EA-60		60	69	9 15/16	21 1/16	56 3/8	70 9/16	22 1/8	70 7/8	9	11 1/2	5/8	188
45°	C5-45EA-18	18	27	9 3/8	7 1/16	17 15/16	31 11/16	14 1/2	28 7/8	6	11 1/2	5/8	80
	C5-45EA-24	24	33	9 3/8	9 1/16	22 3/4	36 13/16	15 15/16	34 7/8	6	11 1/2	5/8	88
	C5-45EA-30	30	39	9 7/16	11 1/16	27 5/8	45 5/16	17 3/8	40 7/8	6	11 1/2	5/8	106
	C5-45EA-36	36	45	9 7/16	13 1/16	32 7/16	49 11/16	18 3/4	46 7/8	6	11 1/2	5/8	116
	C5-45EA-42	42	51	9 13/16	15 1/16	37 1/4	54	20 9/16	52 7/8	7 1/2	11 1/2	5/8	137
	C5-45EA-48	48	57	9 13/16	17 1/16	42 1/16	59 1/8	22	58 7/8	7 1/2	11 1/2	5/8	163
	C5-45EA-54	54	63	9 15/16	19 1/16	46 15/16	63 3/4	23 1/2	64 7/8	9	11 1/2	5/8	176
	C5-45EA-60	60	69	9 15/16	21 1/16	51 3/4	68 5/16	24 15/16	70 7/8	9	11 1/2	5/8	189

SELF-ALIGNING TROUGHING IDLERS - 6"DIAMETER



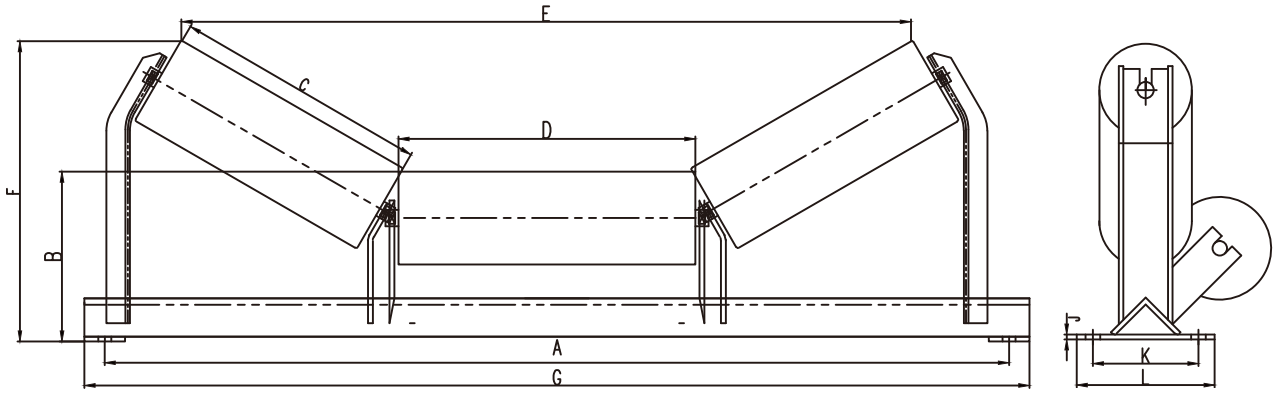
	PART NUMBER		BW	A	B	C		D		E	F		G	H	J	K	WT	
	35°	45°				35°	45°	35°	45°		35°	45°					35°	45°
4"	C4-35U-30	C4-45U-30	30	39	8	15 1/8	15 1/8	31 5/16	29 1/2	5/16	13 5/16	14 11/16	41	6	9 1/2	5/8	49	51
	C4-35U-36	C4-45U-36	36	45	8	21 1/8	21 1/8	37 5/8	35 13/16	5/16	13 5/16	14 11/16	47	6	9 1/2	5/8	55	56
	C4-35U-42	C4-45U-42	42	27	8 1/2	26 5/8	26 3/8	43 5/8	41 13/16	5/16	13 3/8	14 3/4	53	7 1/2	9 1/2	5/8	68	69
	C4-35U-48	C4-45U-48	48	29	8 1/2	32 5/8	32 3/8	49 5/8	47 13/16	5/16	13 3/8	14 3/4	59	7 1/2	9 1/2	5/8	74	76
	C4-35U-54	C4-45U-54	54	33	8 1/2	38 5/8	37 11/16	55 5/8	53 13/16	5/16	13 3/8	14 7/8	65 1/2	9	11	5/8	86	90
	C4-35U-60	C4-45U-60	60	39	8 1/2	44 1/8	43 11/16	61 5/8	59 13/16	3/8	13 7/16	14 7/8	71 1/2	9	11	5/8	95	97
5"	C5-35U-30	C5-45U-30	30	27	8 1/2	15 1/8	15 1/8	30 7/8	29 1/16	5/16	13 11/16	15	41	6	9 1/2	5/8	58	60
	C5-35U-36	C5-45U-36	36	29	8 1/2	21 1/8	21 1/8	36 7/8	35 1/16	5/16	13 11/16	15	47	6	9 1/2	5/8	65	66
	C5-35U-42	C5-45U-42	42	33	9	26 5/8	26 3/8	43	41 3/16	5/16	13 3/4	15 1/16	53	7 1/2	9 1/2	5/8	79	81
	C5-35U-48	C5-45U-48	48	39	9	32 5/8	32 3/8	49	47 3/16	5/16	13 3/4	15 1/16	59	7 1/2	9 1/2	5/8	87	88
	C5-35U-54	C5-45U-54	54	45	9	38 1/8	37 11/16	55 1/8	53 1/4	5/16	13 13/16	15 3/16	65 1/2	9	11	5/8	100	104
	C5-35U-60	C5-45U-60	60	51	9	44 1/8	43 11/16	61 1/8	59 1/4	5/16	13 7/8	15 13/16	71 1/2	9	11	5/8	111	112
6"	C6-35U-30	C6-45U-30	30	57	9	15 1/8	15 1/8	30 3/8	28 3/8	5/16	14 1/8	15 5/16	41	6	9 1/2	5/8	70	72
	C6-35U-36	C6-45U-36	36	27	9	21 1/8	21 1/8	36 3/8	34 3/8	5/16	14 1/8	15 5/16	47	6	9 1/2	5/8	79	80
	C6-35U-42	C6-45U-42	42	29	9 1/2	26 5/8	26 3/8	42 1/2	40 1/2	5/16	14 3/16	15 7/16	53	7 1/2	9 1/2	5/8	94	95
	C6-35U-48	C6-45U-48	48	33	9 1/2	32 5/8	32 3/8	48 1/2	46 1/2	5/16	14 3/16	15 7/16	59	7 1/2	9 1/2	5/8	104	105
	C6-35U-54	C6-45U-54	54	39	9 1/2	38 1/8	37 11/16	54 5/8	52 5/8	3/8	14 1/4	15 7/8	65	9	11	5/8	118	121
	C6-35U-60	C6-45U-60	60	45	9 1/2	44 1/8	43 11/16	60 5/8	58 5/8	3/8	14 5/16	15 7/8	71 1/2	9	11	5/8	130	131

TROUGHING IDLERS (UNEQUAL LENGTH ROLLERS) - 4" 5" 6" DIAMETER



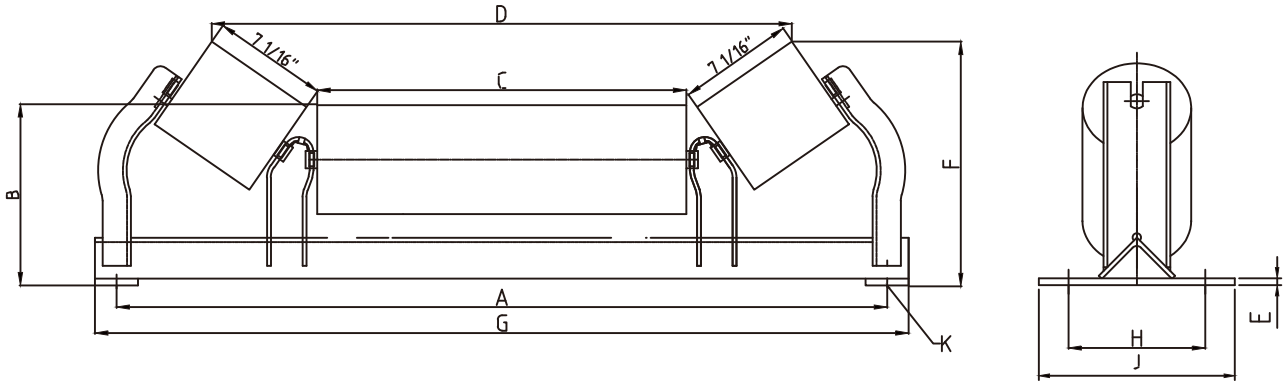
	PART NUMBER		BW	A	B	C		D		E	F		G	H	J	K	WT	
	35°	45°				35°	45°	35°	45°		35°	45°					35°	45°
4"	C4-35U-30	C4-45U-30	30	39	8	15 1/8	15 1/8	31 5/16	29 1/2	5/16	13 5/16	14 11/16	41	6	9 1/2	5/8	49	51
	C4-35U-36	C4-45U-36	36	45	8	21 1/8	21 1/8	37 5/8	35 13/16	5/16	13 5/16	14 11/16	47	6	9 1/2	5/8	55	56
	C4-35U-42	C4-45U-42	42	27	8 1/2	26 5/8	26 3/8	43 5/8	41 13/16	5/16	13 3/8	14 3/4	53	7 1/2	9 1/2	5/8	68	69
	C4-35U-48	C4-45U-48	48	29	8 1/2	32 5/8	32 3/8	49 5/8	47 13/16	5/16	13 3/8	14 3/4	59	7 1/2	9 1/2	5/8	74	76
	C4-35U-54	C4-45U-54	54	33	8 1/2	38 5/8	37 11/16	55 5/8	53 13/16	5/16	13 3/8	14 7/8	65 1/2	9	11	5/8	86	90
	C4-35U-60	C4-45U-60	60	39	8 1/2	44 1/8	43 11/16	61 5/8	59 13/16	3/8	13 7/16	14 7/8	71 1/2	9	11	5/8	95	97
5"	C5-35U-30	C5-45U-30	30	27	8 1/2	15 1/8	15 1/8	30 7/8	29 1/16	5/16	13 11/16	15	41	6	9 1/2	5/8	58	60
	C5-35U-36	C5-45U-36	36	29	8 1/2	21 1/8	21 1/8	36 7/8	35 1/16	5/16	13 11/16	15	47	6	9 1/2	5/8	65	66
	C5-35U-42	C5-45U-42	42	33	9	26 5/8	26 3/8	43	41 3/16	5/16	13 3/4	15 1/16	53	7 1/2	9 1/2	5/8	79	81
	C5-35U-48	C5-45U-48	48	39	9	32 5/8	32 3/8	49	47 3/16	5/16	13 3/4	15 1/16	59	7 1/2	9 1/2	5/8	87	88
	C5-35U-54	C5-45U-54	54	45	9	38 1/8	37 11/16	55 1/8	53 1/4	5/16	13 13/16	15 3/16	65 1/2	9	11	5/8	100	104
	C5-35U-60	C5-45U-60	60	51	9	44 1/8	43 11/16	61 1/8	59 1/4	5/16	13 7/8	15 13/16	71 1/2	9	11	5/8	111	112
6"	C6-35U-30	C6-45U-30	30	57	9	15 1/8	15 1/8	30 3/8	28 3/8	5/16	14 1/8	15 5/16	41	6	9 1/2	5/8	70	72
	C6-35U-36	C6-45U-36	36	27	9	21 1/8	21 1/8	36 3/8	34 3/8	5/16	14 1/8	15 5/16	47	6	9 1/2	5/8	79	80
	C6-35U-42	C6-45U-42	42	29	9 1/2	26 5/8	26 3/8	42 1/2	40 1/2	5/16	14 3/16	15 7/16	53	7 1/2	9 1/2	5/8	94	95
	C6-35U-48	C6-45U-48	48	33	9 1/2	32 5/8	32 3/8	48 1/2	46 1/2	5/16	14 3/16	15 7/16	59	7 1/2	9 1/2	5/8	104	105
	C6-35U-54	C6-45U-54	54	39	9 1/2	38 1/8	37 11/16	54 5/8	52 5/8	3/8	14 1/4	15 7/8	65	9	11	5/8	118	121
	C6-35U-60	C6-45U-60	60	45	9 1/2	44 1/8	43 11/16	60 5/8	58 5/8	3/8	14 5/16	15 7/8	71 1/2	9	11	5/8	130	131

OFFSET CENTER ROLLER IDLER - 5" & 6" DIAMETER



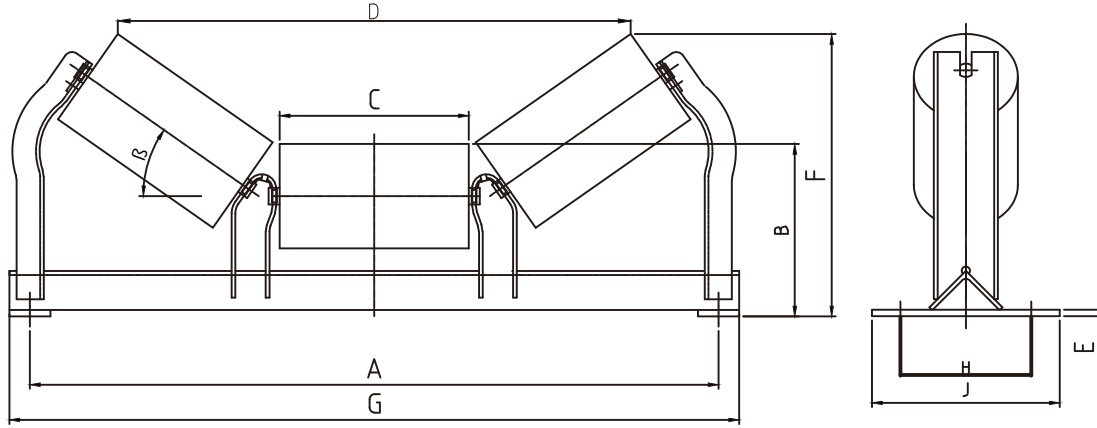
	PART NUMBER		BW	A	B		C	D	E		F		G	H	J	K	L	WT	
	5"	6"			5"	6"			5"	6"	5"	6"						5"	6"
20°	C5-20GO-18	C6-20GO-18	18	27	8 1/2	9	7 1/16	9 1/6	21 7/8	21 1/2	11	11 7/16	29	1/2	1/4	6	8	44	52
	C5-20GO-24	C6-20GO-24	24	33	8 1/2	9	9 1/16	11 1/16	27 5/8	27 5/16	11 11/16	12 1/8	35	5/8	5/16	6	9 1/2	51	62
	C5-20GO-30	C6-20GO-30	30	39	8 1/2	9	11 1/16	13 1/6	33 3/8	33 1/16	12 3/8	12 7/8	41	5/8	5/16	6	9 1/2	61	74
	C5-20GO-36	C6-20GO-36	36	45	8 1/2	9	13 1/16	15 1/6	39 1/8	38 13/16	13 1/16	13 9/16	47	5/8	5/16	6	9 1/2	68	83
	C5-20GO-42	C6-20GO-42	42	51	9	9 1/2	15 1/16	17 1/16	44 7/8	44 9/16	14 3/16	14 11/16	53	5/8	5/16	7 1/2	9 1/2	84	100
	C5-20GO-48	C6-20GO-48	48	57	9	9 1/2	17 1/16	19 1/16	50 5/8	50 5/16	14 7/8	15 3/8	59	5/8	5/16	7 1/2	9 1/2	92	110
	C5-20GO-54	C6-20GO-54	54	63	9	9 1/2	19 1/16	21 1/16	56 3/8	56 1/16	15 5/8	16 1/16	65	5/8	3/8	9	11	106	126
	C5-20GO-60	C6-20GO-60	60	69	9	9 1/2	21 1/16	23 5/16	62 3/16	61 13/16	16 5/16	16 3/4	71 1/2	5/8	3/8	9	11	117	138
35°	C5-35GO-18	C6-35GO-18	18	27	8 1/2	9	7 1/16	9 1/6	19 1/2	18 15/16	12 5/8	13 1/16	29	1/2	1/4	6	8	45	54
	C5-35GO-24	C6-35GO-24	24	33	8 1/2	9	9 1/16	11 1/16	24 3/4	24 1/4	13 13/16	14 3/16	35	5/8	5/16	6	9 1/2	53	64
	C5-35GO-30	C6-35GO-30	30	39	8 1/2	9	11 1/16	13 1/6	30 1/16	29 1/2	14 15/16	15 1/4	41	5/8	5/16	6	9 1/2	63	76
	C5-35GO-36	C6-35GO-36	36	45	8 1/2	9	13 1/16	15 1/6	35 5/16	34 13/16	16 1/8	16 1/2	47	5/8	5/16	6	9 1/2	71	85
	C5-35GO-42	C6-35GO-42	42	51	9	9 1/2	15 1/16	17 1/16	40 5/16	40 1/16	17 11/16	18 1/8	53	5/8	5/16	7 1/2	9 1/2	87	104
	C5-35GO-48	C6-35GO-48	48	57	9	9 1/2	17 1/16	19 1/16	45 7/8	45 5/16	18 7/8	19 1/4	59	5/8	5/16	7 1/2	9 1/2	95	114
	C5-35GO-54	C6-35GO-54	54	63	9	9 1/2	19 1/16	21 1/16	51 3/16	50 5/16	20	20 7/16	65	5/8	3/8	9	11	109	130
	C5-35GO-60	C6-35GO-60	60	69	9	9 1/2	21 1/16	23 5/16	56 7/16	55 7/8	21 3/16	21 9/16	71 1/2	5/8	3/8	9	11	121	142
45°	C5-45GO-18	C6-45GO-18	18	27	8 1/2	9	7 1/16	9 1/6	18 1/8	17 7/16	13 5/8	14	29	1/2	1/4	6	8	47	55
	C5-45GO-24	C6-45GO-24	24	33	8 1/2	9	9 1/16	11 1/16	22 15/16	22 1/4	15 1/16	15 7/16	35	5/8	5/16	6	9 1/2	55	65
	C5-45GO-30	C6-45GO-30	30	39	8 1/2	9	11 1/16	13 1/6	27 3/4	27 1/16	16 1/2	16 7/8	41	5/8	5/16	6	9 1/2	65	78
	C5-45GO-36	C6-45GO-36	36	45	8 1/2	9	13 1/16	15 1/6	32 9/16	31 15/16	17 15/16	18 1/4	47	5/8	5/16	6	9 1/2	73	87
	C5-45GO-42	C6-45GO-42	42	51	9	9 1/2	15 1/16	17 1/16	37 4/9	36 3/4	18 3/4	20 1/8	53	5/8	5/16	7 1/2	9 1/2	89	105
	C5-45GO-48	C6-45GO-48	48	57	9	9 1/2	17 1/16	19 1/16	42 1/4	41 9/16	21 3/16	21 9/16	59	5/8	5/16	7 1/2	9 1/2	97	116
	C5-45GO-54	C6-45GO-54	54	63	9	9 1/2	19 1/16	21 1/16	47 1/16	46 3/8	22 5/8	23	65	5/8	3/8	9	11	114	135
	C5-45GO-60	C6-45GO-60	60	69	9	9 1/2	21 1/16	23 5/16	51 7/8	51 1/4	24 1/16	24 3/8	71 1/2	5/8	3/8	9	11	124	145

FEEDER / PICKING TROUGHING IDLERS - 4" & 5" & 6" DIAMETER



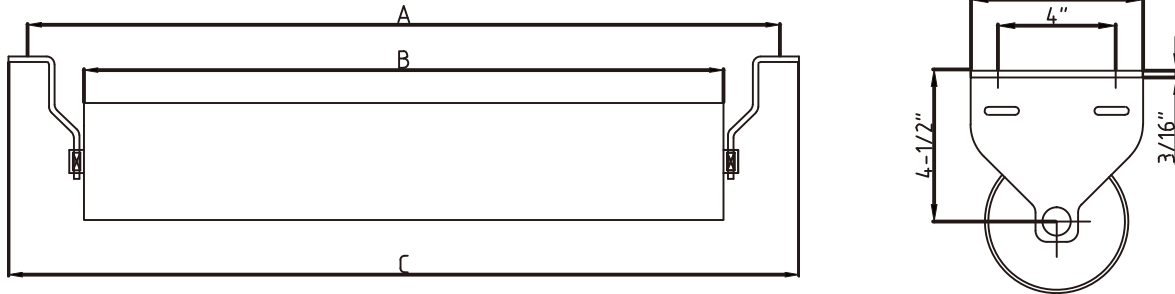
	PART NUMBER	BW	A	B	C	D	E	F	G	H	J	K	WT
4"	C4-20P-24	24	33	7 15/16	13	28 3/16	5/16	10 7/16	35	6	9 1/2	5/8	40
	C4-20P-30	30	39	7 15/16	19	34 3/16	5/16	10 7/16	41	6	9 1/2	5/8	48
	C4-20P-36	36	45	7 15/16	25	40 3/16	5/16	10 7/16	47	6	9 1/2	5/8	53
	C4-20P-42	42	51	8 5/16	30 3/4	43 3/8	5/16	10 1/2	53	6	9 1/2	5/8	66
	C4-20P-48	48	57	8 5/16	36 3/4	52 3/8	5/16	10 1/2	59	6	9 1/2	5/8	73
	C4-20P-54	54	63	8 3/4	42 1/2	58 7/16	3/8	10 9/16	65 1/2	9	11	5/8	84
	C4-20P-60	60	69	8 3/4	48 1/2	64 7/16	3/8	10 9/16	71 1/2	9	11	5/8	94
5"	C5-20P-24	24	33	8 7/16	13	27 5/8	5/16	10 7/8	35	6	9 1/2	5/8	47
	C5-20P-30	30	39	8 7/16	19	33 5/8	5/16	10 7/8	41	6	9 1/2	5/8	56
	C5-20P-36	36	45	8 7/16	25	39 5/8	5/16	10 7/8	47	6	9 1/2	5/8	63
	C5-20P-42	42	51	8 13/16	30 3/4	45 13/16	5/16	10 15/16	53	6	9 1/2	5/8	78
	C5-20P-48	48	57	8 13/16	36 3/4	51 13/16	5/16	10 15/16	59	6	9 1/2	5/8	86
	C5-20P-54	54	63	8 7/8	42 1/2	57 13/16	3/8	11	65 1/2	9	11	5/8	98
	C5-20P-60	60	69	8 7/8	48 1/2	63 13/16	3/8	11	71 1/2	9	11	5/8	109
6"	C6-20P-24	24	33	8 15/16	13	27 9/16	5/16	11 3/8	35	6	9 1/2	5/8	56
	C6-20P-30	30	39	8 15/16	19	33 9/16	5/16	11 3/8	41	6	9 1/2	5/8	67
	C6-20P-36	36	45	8 15/16	25	39 9/16	5/16	11 3/8	47	6	9 1/2	5/8	76
	C6-20P-42	42	51	9 5/16	30 3/4	45 9/16	5/16	11 7/16	53	6	9 1/2	5/8	92
	C6-20P-48	48	57	9 5/16	36 3/4	51 13/16	5/16	11 7/16	59	6	9 1/2	5/8	101
	C6-20P-54	54	63	9 3/8	42 1/2	57 13/16	3/8	11 1/2	65 1/2	9	11	5/8	116
	C6-20P-60	60	69	9 3/8	48 1/2	63 13/16	3/8	11 1/2	71 1/2	9	11	5/8	129

TROUGHING IDLERS (EQUAL LENGTH ROLLERS) - 5" & 6" DIAMETER



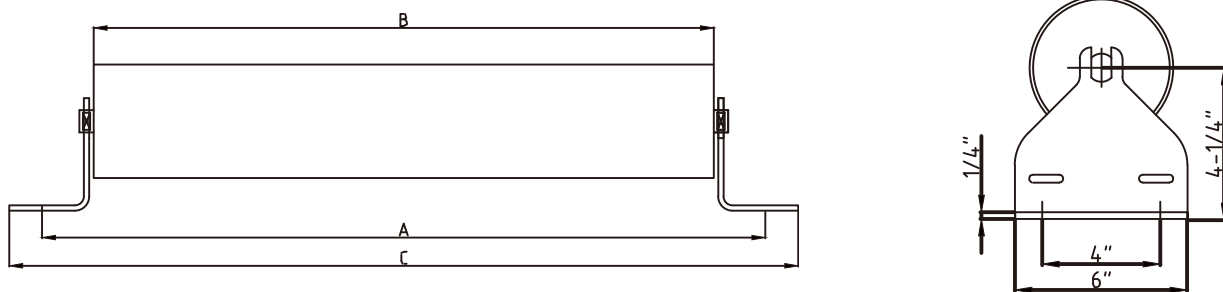
	PART NUMBER		BW	A	B		C	D		E	F		G	H	J	K	WT	
	5"	6"			5"	6"		5"	6"		5"	6"					5"	6"
20°	D5-20E-24	D6-20E-24	24	33	8 1/2	9	9 1/16	27 5/8	26 15/16	5/16	11 11/16	12 1/8	35	6	9 1/2	5/8	51	64
	D5-20E-30	D6-20E-30	30	39	8 1/2	9	11 1/16	33 1/16	32 3/4	5/16	12 3/8	12 7/8	41	6	9 1/2	5/8	63	76
	D5-20E-36	D6-20E-36	36	45	9	9 1/2	13 1/16	38 13/16	38 1/2	5/16	13 1/16	14 1/32	47	6	9 1/2	5/8	72	86
	D5-20E-42	D6-20E-42	42	51	9	9 1/2	15 1/16	44 9/16	44 1/4	5/16	14 3/16	14 3/4	53	7 1/2	9 1/2	5/8	87	104
	D5-20E-48	D6-20E-48	48	57	9 3/8	9 7/8	17 1/16	50 3/8	50	5/16	14 7/8	15 3/4	59	7 1/2	9 1/2	5/8	96	115
	D5-20E-54	D6-20E-54	54	63	9 7/16	9 15/16	19 1/16	56 1/8	55 3/4	3/8	15 5/8	16 1/2	65 1/2	9	11	5/8	109	130
	D5-20E-60	D6-20E-60	60	69	9 7/16	9 15/16	21 1/16	62 1/8	61 1/2	3/8	16 9/16	17 3/16	71 1/2	9	11	5/8	123	144
	D5-20E-72	D6-20E-72	72	81	9 7/16	9 15/16	25 1/16	73 3/8	73	3/8	18 1/8	18 9/16	83 1/2	9	11	5/8	144	167
35°	D5-35E-24	D6-35E-24	24	33	8 1/2	9	9 1/16	24 11/16	24 1/8	5/16	13 13/16	14 3/16	35	6	9 1/2	5/8	55	66
	D5-35E-30	D6-35E-30	30	39	8 1/2	9	11 1/16	30	29 7/16	5/16	14 15/16	15 3/8	41	6	9 1/2	5/8	66	78
	D5-35E-36	D6-35E-36	36	45	9	9 1/2	13 1/16	35 1/4	34 11/16	5/16	16 1/8	16	47	6	9 1/2	5/8	74	88
	D5-35E-42	D6-35E-42	42	51	9	9 1/2	15 1/16	40 9/16	40	5/16	17 11/16	18 3/16	53	7 1/2	9 1/2	5/8	90	106
	D5-35E-48	D6-35E-48	48	57	9 3/8	9 7/8	17 1/16	45 13/16	45 1/4	5/16	18 7/8	19 11/16	59	7 1/2	9 1/2	5/8	99	117
	D5-35E-54	D6-35E-54	54	63	9 7/16	9 15/16	19 1/16	51 1/8	50 1/2	3/8	20 5/16	20 7/8	65 1/2	9	11	5/8	113	134
	D5-35E-60	D6-35E-60	60	69	9 7/16	9 15/16	21 1/16	56 5/16	55 13/16	3/8	21 3/16	22	71 1/2	9	11	5/8	126	148
	D5-35E-72	D6-35E-72	72	81	9 7/16	9 15/16	25 1/16	66 7/8	66 5/16	3/8	23 15/16	24 5/16	83 1/2	9	11	5/8	145	171
45°	D5-45E-24	D6-45E-24	24	33	8 1/2	9	9 1/16	22 3/4	22 1/6	5/16	15 1/16	15 7/16	35	6	9 1/2	5/8	57	68
	D5-45E-30	D6-45E-30	30	39	8 1/2	9	11 1/16	27 5/8	26 7/8	5/16	16 1/2	16 7/8	41	6	9 1/2	5/8	67	80
	D5-45E-36	D6-45E-36	36	45	9	9 1/2	13 1/16	32 7/16	31 3/4	5/16	17 15/16	18 3/4	47	6	9 1/2	5/8	75	90
	D5-45E-42	D6-45E-42	42	51	9	9 1/2	15 1/16	37 1/4	36 9/16	5/16	19 3/4	20 3/16	53	7 1/2	9 1/2	5/8	94	111
	D5-45E-48	D6-45E-48	48	57	9 3/8	9 7/8	17 1/16	42 1/8	41 3/8	5/16	21 1/8	21 15/16	59	7 1/2	9 1/2	5/8	101	119
	D5-45E-54	D6-45E-54	54	63	9 7/16	9 15/16	19 1/16	46 15/16	46 3/16	3/8	22 15/16	23 1/4	65 1/2	9	11	5/8	116	138
	D5-45E-60	D6-45E-60	60	69	9 7/16	9 15/16	21 1/16	51 3/4	51	3/8	24 1/16	24 7/8	71 1/2	9	11	5/8	133	151
	D5-45E-72	D6-45E-72	72	81	9 7/16	9 15/16	25 1/16	61 3/8	60 11/16	3/8	27 5/16	27 11/16	83 1/2	9	11	5/8	154	174

RETURN IDLERS - 5" & 6" DIAMETER



5" PART NUMBER	6" PART NUMBER	BW"	A	B	C	WT	
						5"	6"
D5-RET-24	D6-RET-24	24	33	27 5/16	34 3/4	30	40
D5-RET-30	D6-RET-30	30	39	33 5/16	40 3/4	36	47
D5-RET-36	D6-RET-36	36	5	39 5/16	46 3/4	41	54
D5-RET-42	D6-RET-42	42	51	45 5/16	52 3/4	46	61
D5-RET-48	D6-RET-48	48	57	51 5/16	58 3/4	51	68
D5-RET-54	D6-RET-54	54	63	57 5/16	64 3/4	56	75
D5-RET-60	D6-RET-60	60	69	63 5/16	70 3/4	61	83
D5-RET-72	D6-RET-72	72	81	75 5/16	82 3/4	72	97

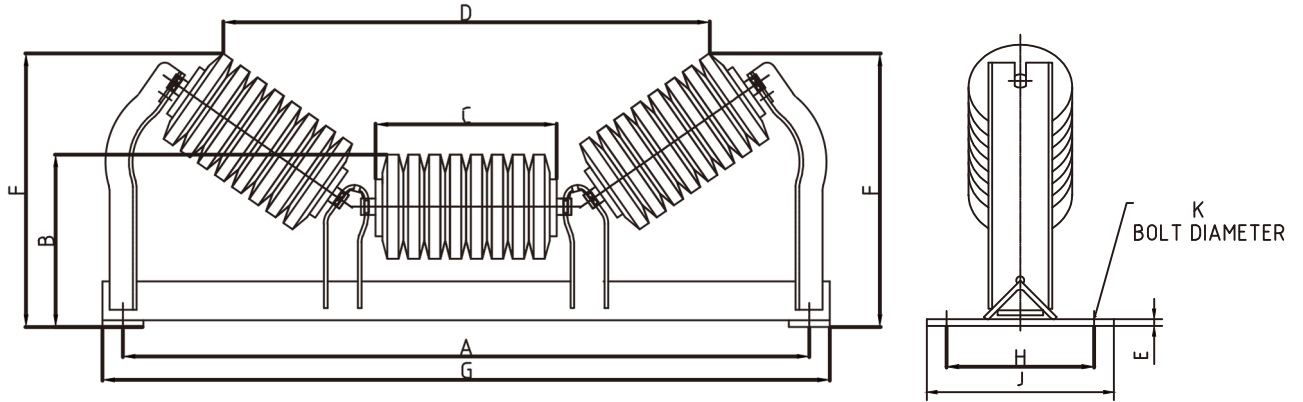
FLAT IDLERS - 5" & 6" DIAMETER



5" PART NUMBER	6" PART NUMBER	BW"	A	B	C	WT	
						5"	6"
D5-FLT-24	D6-FLT-24	24	33	27 5/16	34 3/4	33	42
D5-FLT-30	D6-FLT-30	30	39	33 5/16	40 3/4	38	49
D5-FLT-36	D6-FLT-36	36	5	39 5/16	46 3/4	43	57
D5-FLT-42	D6-FLT-42	42	51	45 5/16	52 3/4	48	64
D5-FLT-48	D6-FLT-48	48	57	51 5/16	58 3/4	54	71
D5-FLT-54	D6-FLT-54	54	63	57 5/16	64 3/4	59	78
D5-FLT-60	D6-FLT-60	60	69	63 5/16	70 3/4	64	85
D5-FLT-72	D6-FLT-72	72	81	75 5/16	82 3/4	74	99

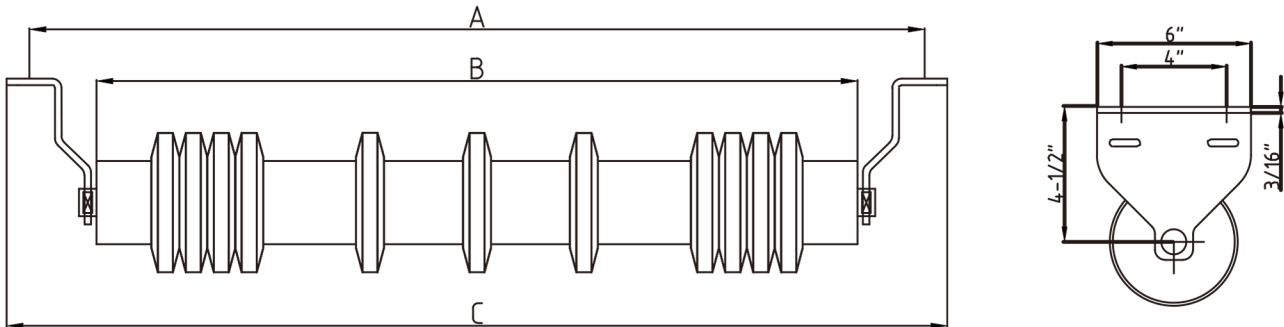


RUBBER CUSHION IMPACT TROUGHING IDLERS - 5" & 6" DIAMETER



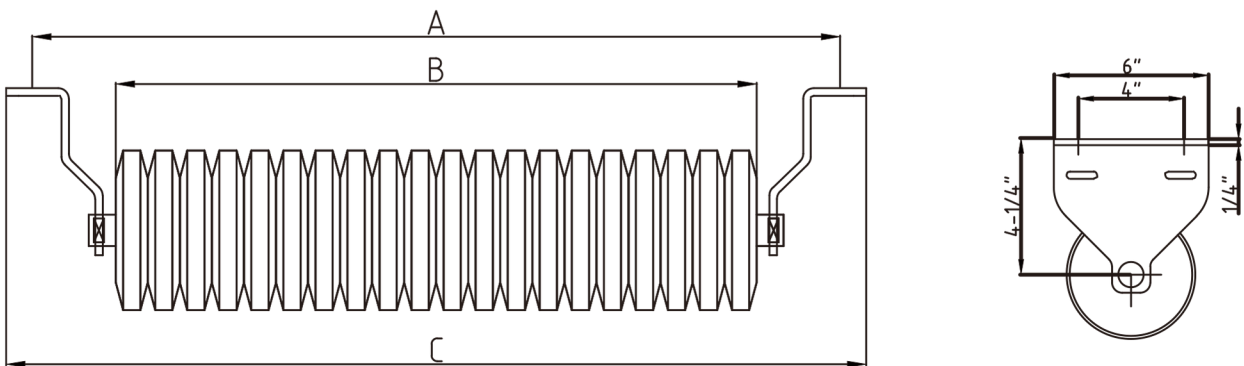
	PART NUMBER		BW	A	B		C	D		E	F		G	H	J	K	WT	
	5"	6"			5"	6"		5"	6"		5"	6"					5"	6"
20°	D5-20EI-24	D6-20EI-24	24	33	8 1/2	9	9 1/16	26 13/16	26 7/16	5/16	11 11/16	12 1/8	35	6	9 1/2	5/8	53	65
	D5-20EI-30	D6-20EI-30	30	39	8 1/2	9	11 1/16	32 9/16	32 1/4	5/16	12 3/8	12 7/8	41	6	9 1/2	5/8	71	78
	D5-20EI-36	D6-20EI-36	36	45	9	9 1/2	13 1/16	38 5/16	38	5/16	13 9/16	14 1/32	47	6	9 1/2	5/8	83	94
	D5-20EI-42	D6-20EI-42	42	51	9	9 1/2	15 1/16	44 1/16	43 3/4	5/16	14 1/4	14 3/4	53	7 1/2	9 1/2	5/8	106	116
	D5-20EI-48	D6-20EI-48	48	57	9 3/8	9 7/8	17 1/16	49 7/8	49 1/2	5/16	15 5/16	15 3/4	59	7 1/2	9 1/2	5/8	120	131
	D5-20EI-54	D6-20EI-54	54	63	9 7/16	9 15/16	19 1/16	55 5/8	55 1/4	3/8	16 1/32	16 1/2	65 1/2	9	11	5/8	130	142
	D5-20EI-60	D6-20EI-60	60	69	9 7/16	9 15/16	21 1/16	61 3/8	61	3/8	16 3/4	17 3/16	71 1/2	9	11	5/8	145	152
	D5-20EI-72	D6-20EI-72	72	81	9 7/16	9 15/16	25 1/16	73	72 11/16	3/8	17 9/16	18 1/16	83 1/2	9	11	5/8	160	164
35°	D5-35EI-24	D6-35EI-24	24	33	8 1/2	9	9 1/16	24 5/16	23 3/4	5/16	11 11/16	14 3/16	35	6	9 1/2	5/8	60	68
	D5-35EI-30	D6-35EI-30	30	39	8 1/2	9	11 1/16	29 5/8	29 1/16	5/16	12 3/8	15 3/8	41	6	9 1/2	5/8	72	81
	D5-35EI-36	D6-35EI-36	36	45	9	9 1/2	13 1/16	34 7/8	34 5/16	5/16	16 5/8	16	47	6	9 1/2	5/8	85	96
	D5-35EI-42	D6-35EI-42	42	51	9	9 1/2	15 1/16	40 3/16	39 5/8	5/16	17 3/4	18 3/16	53	7 1/2	9 1/2	5/8	108	118
	D5-35EI-48	D6-35EI-48	48	57	9 3/8	9 7/8	17 1/16	45 7/16	44 7/8	5/16	19 1/4	19 11/16	59	7 1/2	9 1/2	5/8	123	133
	D5-35EI-54	D6-35EI-54	54	63	9 7/16	9 15/16	19 1/16	69 15/16	49 15/16	3/8	20 1/16	20 7/16	65 1/2	9	11	5/8	132	145
	D5-35EI-60	D6-35EI-60	60	69	9 7/16	9 15/16	21 1/16	56	55 7/16	3/8	21 5/8	22	71 1/2	9	11	5/8	148	157
	D5-35EI-72	D6-35EI-72	72	81	9 7/16	9 15/16	25 1/16	65 1/2	64 15/16	3/8	24 3/16	24 11/16	83 1/2	9	11	5/8	164	172
45°	D5-45EI-24	D6-45EI-24	24	33	8 1/2	9	9 1/16	22 3/4	21 11/16	5/16	15 1/16	15 7/16	35	6	9 1/2	5/8	51	70
	D5-45EI-30	D6-45EI30	30	39	8 1/2	9	11 1/16	27 5/8	26 1/2	5/16	16 1/8	16 7/8	41	6	9 1/2	5/8	60	81
	D5-45EI-36	D6-45EI-36	36	45	9	9 1/2	13 1/16	32 7/16	32 1/16	5/16	18 7/16	18 3/4	47	6	9 1/2	5/8	67	98
	D5-45EI-42	D6-45EI42	42	51	9	9 1/2	15 1/16	37 1/4	36 3/16	5/16	19 13/16	20 3/16	53	7 1/2	9 1/2	5/8	89	120
	D5-45EI-48	D6-45EI48	48	57	9 3/8	9 7/8	17 1/16	42 1/16	41	5/16	21 5/8	21 15/16	59	7 1/2	9 1/2	5/8	96	136
	D5-45EI-54	D6-45EI54	54	63	9 7/16	9 15/16	19 1/16	46 15/16	45 13/16	3/8	23 1/16	23 7/16	65 1/2	9	11	5/8	107	148
	D5-45EI-60	D6-45EI60	60	69	9 7/16	9 15/16	21 1/16	51 3/4	50 9/16	3/8	24 1/2	24 7/8	71 1/2	9	11	5/8	116	159
	D5-45EI-72	D6-45EI72	72	81	9 7/16	9 15/16	25 1/16	61 3/8	60 7/16	3/8	27 5/16	27 15/16	83 1/2	9	11	5/8	133	174

RUBBER CUSHION RETURN IDLERS - 5" & 6" DIAMETER



PART NUMBER		BW	A	B	C	WT	
5"	6"					5"	6"
D5-RETI-24	D6-RETI-24	24	33	27 7/16	34 1/2	33	39
D5-RETI-30	D6-RETI-30	30	39	33 7/16	40 1/2	39	43
D5-RETI-36	D6-RETI-36	36	45	39 7/16	46 1/2	43	50
D5-RETI-42	D6-RETI-42	42	51	45 7/16	52 1/2	46	53
D5-RETI-48	D6-RETI-48	48	57	51 7/16	58 1/2	53	60
D5-RETI-54	D6-RETI-54	54	63	57 7/16	64 1/2	58	64
D5-RETI-60	D6-RETI-60	60	69	63 7/16	70 1/2	63	68
D5-RETI-72	D6-RETI-72	72	81	75 7/16	82 1/2	79	73

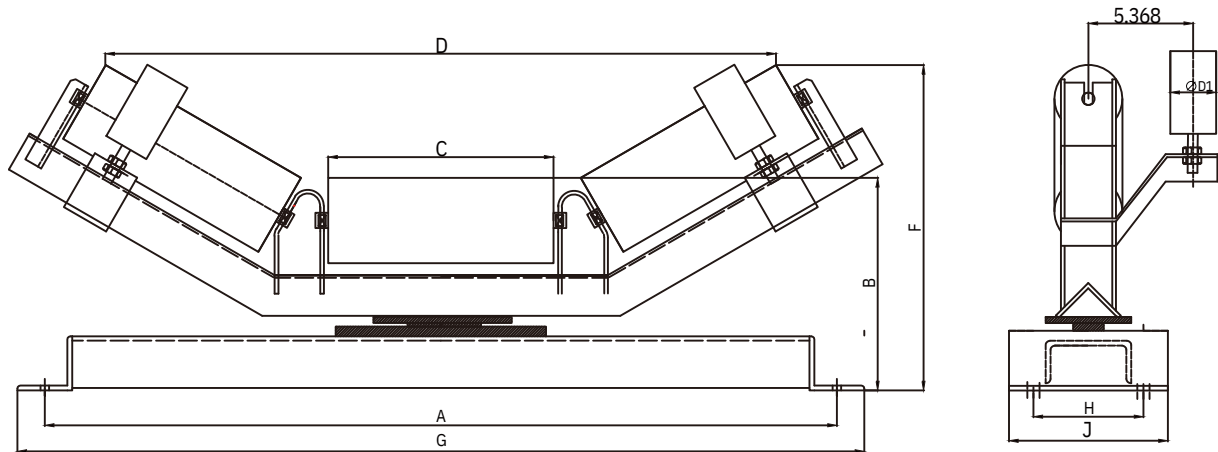
RUBBER CUSHION FLAT IDLERS - 5" & 6" DIAMETER



PART NUMBER		BW	A	B	C	WT	
5"	6"					5"	6"
D5-FLTI-24	D6-FLTI-24	24	33	27 7/16	34 15/16	45	52
D5-FLTI-30	D6-FLTI-30	30	39	33 7/16	40 15/16	53	62
D5-FLTI-36	D6-FLTI-36	36	45	39 7/16	46 15/16	61	71
D5-FLTI-42	D6-FLTI-42	42	51	45 7/16	52 15/16	69	81
D5-FLTI-48	D6-FLTI-48	48	57	51 7/16	58 15/16	78	92
D5-FLTI-54	D6-FLTI-54	54	63	57 7/16	64 15/16	86	101
D5-FLTI-60	D6-FLTI-60	60	69	63 7/16	70 15/16	94	111
D5-FLTI-72	D6-FLTI-72	72	81	75 7/16	82 15/16	111	130

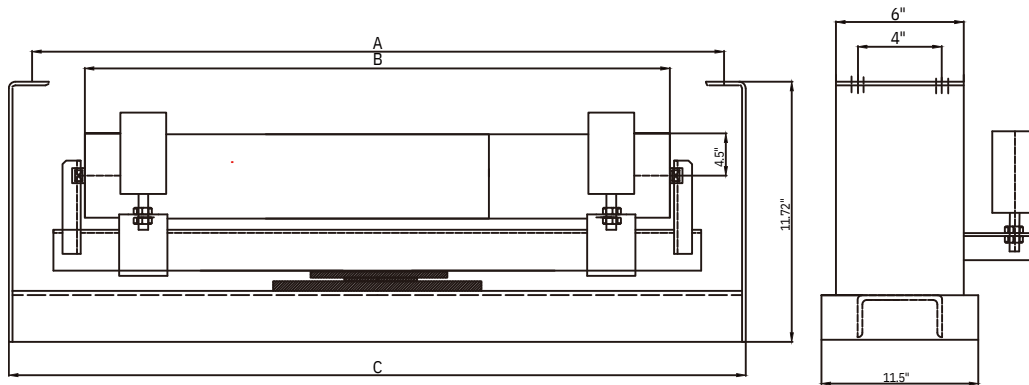


SELF-ALIGNING TROUGHING IDLER - 5" & 6" DIAMETER



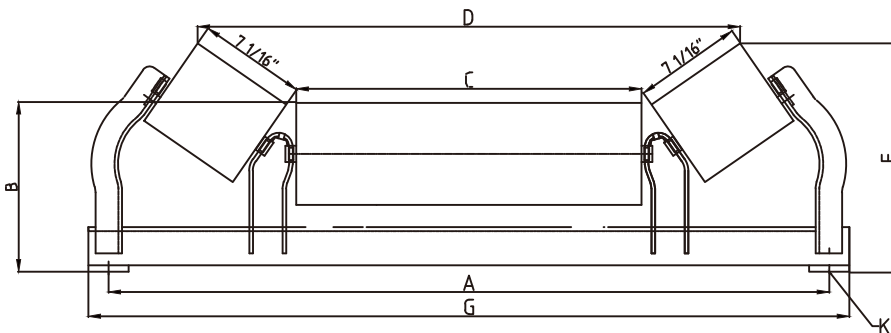
	PART NUMBER		BW	A	B		C	D		E	F		G	H	J	K	WT	
	5"	6"			5"	6"		5"	6"		5"	6"					5"	6"
20°	D5-20EA-24	D6-20EA-24	24	33	9 3/8	9 7/8	9 1/16	21 5/8	21 5/16	30 5/8	11 7/8	12 5/16	28 7/8	6	11 1/2	5/8	89	93
	D5-20EA-30	D6-20EA-30	30	39	9 3/8	9 7/8	11 1/16	27 3/8	27 1/16	36 5/8	12 9/16	13	34 7/8	6	11 1/2	5/8	107	105
	D5-20EA-36	D6-20EA-36	36	45	9 7/16	9 15/16	13 1/16	33 1/8	32 13/16	42 3/16	13 5/16	13 3/4	40 7/8	6	11 1/2	5/8	118	122
	D5-20EA-42	D6-20EA-42	42	51	9 7/16	9 15/16	15 1/16	38 7/8	38 9/16	47 15/16	14	14 7/16	46 7/8	6	11 1/2	5/8	140	146
	D5-20EA-48	D6-20EA-48	48	57	9 13/16	10 5/16	17 1/16	44 5/8	44 5/16	53 15/16	15 1/16	15 1/2	52 7/8	6	11 1/2	5/8	165	172
	D5-20EA-54	D6-20EA-54	54	63	9 13/16	10 5/16	19 1/16	50 3/8	50 1/16	59 1/16	15 3/4	16 3/16	58 7/8	6	11 1/2	5/8	178	183
	D5-20EA-60	D6-20EA-60	60	69	9 15/16	10 7/16	21 1/16	56 1/8	55 13/16	65 7/16	16 9/16	17	64 7/8	6	11 1/2	5/8	192	199
	D5-20EA-72	D6-20EA-72	72	81	9 15/16	10 7/16	25 1/16	61 15/16	61 9/16	71 3/16	17 1/4	17 11/16	70 7/8	6	11 1/2	5/8	202	211
35°	D5-35EA-24	D6-35EA-24	24	33	9 3/8	9 7/8	9 1/16	24 11/16	24 1/8	38 3/16	14 7/8	15 1/4	28 7/8	6	11 1/2	5/8	91	93
	D5-35EA-30	D6-35EA-30	30	39	9 3/8	9 7/8	11 1/16	30	29 7/16	44 3/16	15 7/8	16 7/16	34 7/8	6	11 1/2	5/8	109	109
	D5-35EA-36	D6-35EA-36	36	45	9 7/16	9 15/16	13 1/16	35 1/4	34 11/16	48 15/16	17 3/16	17 9/16	40 7/8	6	11 1/2	5/8	120	124
	D5-35EA-42	D6-35EA-42	42	51	9 7/16	9 15/16	15 1/16	40 9/16	40	55	18 3/4	19 3/16	46 7/8	6	11 1/2	5/8	142	146
	D5-35EA-48	D6-35EA-48	48	57	9 13/16	10 5/16	17 1/16	45 13/16	45 1/4	60 5/8	20	20 5/16	52 7/8	6	11 1/2	5/8	167	173
	D5-35EA-54	D6-35EA-54	54	63	9 13/16	10 5/16	19 1/16	51 1/8	50 1/2	65 9/16	21 1/16	21 1/2	58 7/8	6	11 1/2	5/8	180	186
	D5-35EA-60	D6-35EA-60	60	69	9 15/16	10 7/16	21 1/16	56 5/16	55 13/16	70 9/16	22 1/4	22 5/8	64 7/8	6	11 1/2	5/8	194	200
	D5-35EA-72	D6-35EA-72	72	81	9 15/16	10 7/16	25 1/16	66 7/8	61 1/8	82 3/4	22 7/16	24 3/8	70 7/8	6	11 1/2	5/8	204	210
45°	D5-45EA-24	D6-45EA-24	24	33	9 3/8	9 7/8	9 1/16	22 3/4	22 1/16	36 13/16	16 1/8	16 1/2	28 7/8	6	11 1/2	5/8	92	94
	D5-45EA-30	D6-45EA-30	30	39	9 3/8	9 7/8	11 1/16	27 5/8	26 7/8	43 5/16	17 5/8	18	34 7/8	6	11 1/2	5/8	110	113
	D5-45EA-36	D6-45EA-36	36	45	9 7/16	9 15/16	13 1/16	32 7/16	31 3/4	49 11/16	19 1/16	19 3/8	40 7/8	6	11 1/2	5/8	121	125
	D5-45EA-42	D6-45EA-42	42	51	9 7/16	9 15/16	15 1/16	37 1/4	36 9/16	54	20 3/4	21 1/8	46 7/8	6	11 1/2	5/8	143	148
	D5-45EA-48	D6-45EA-48	48	57	9 13/16	10 5/16	17 1/16	42 1/16	41 3/8	59 1/8	22 3/16	21 7/8	52 7/8	6	11 1/2	5/8	169	175
	D5-45EA-54	D6-45EA-54	54	63	9 13/16	10 5/16	19 1/16	46 15/16	46 3/16	63 3/4	23 5/8	24	58 7/8	6	11 1/2	5/8	185	187
	D5-45EA-60	D6-45EA-60	60	69	9 15/16	10 7/16	21 1/16	51 3/4	51	68 5/16	25	25 3/8	64 7/8	6	11 1/2	5/8	196	201
	D5-45EA-72	D6-45EA-72	72	81	9 15/16	10 7/16	25 1/16	61 3/8	72 7/8	80 3/4	26 5/8	26 7/8	70 7/8	6	11 1/2	5/8	206	211

SELF-ALIGNING RETURN IDLERS - 5" & 6" DIAMETER



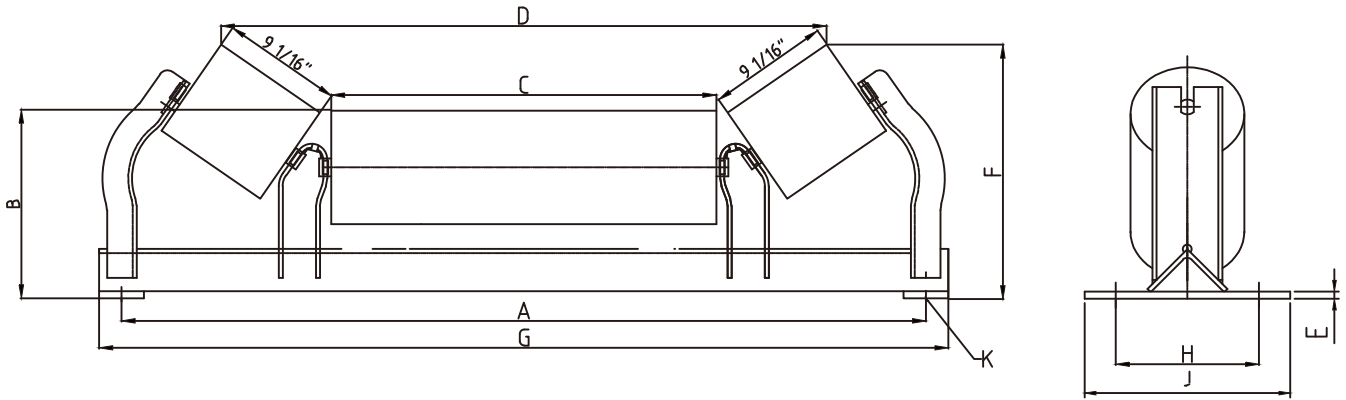
PART NUMBER		BW	A	B	C	D	WT	
5"	6"						5"	6"
D5-RETA-24	D6-RETA-24	24	33	27 5/16	35 3/4	29 5/8	78	88
D5-RETA-30	D6-RETA-30	30	39	33 5/16	41 3/4	35 5/8	105	116
D5-RETA-36	D6-RETA-36	36	45	39 5/16	47 3/4	41 5/8	109	122
D5-RETA-42	D6-RETA-42	42	51	45 5/16	53 3/4	47 5/8	139	154
D5-RETA-48	D6-RETA-48	48	57	51 5/16	59 3/4	53 5/8	147	164
D5-RETA-54	D6-RETA-54	54	63	57 5/16	65 3/4	59 5/8	158	177
D5-RETA-60	D6-RETA-60	60	69	63 5/16	71 3/4	65 5/8	171	193
D5-RETA-72	D6-RETA-72	72	81	75 5/16	83 3/4	77 5/8	197	222

FEEDER / PICKING TROUGHING IDLERS - 5" & 6" DIAMETER



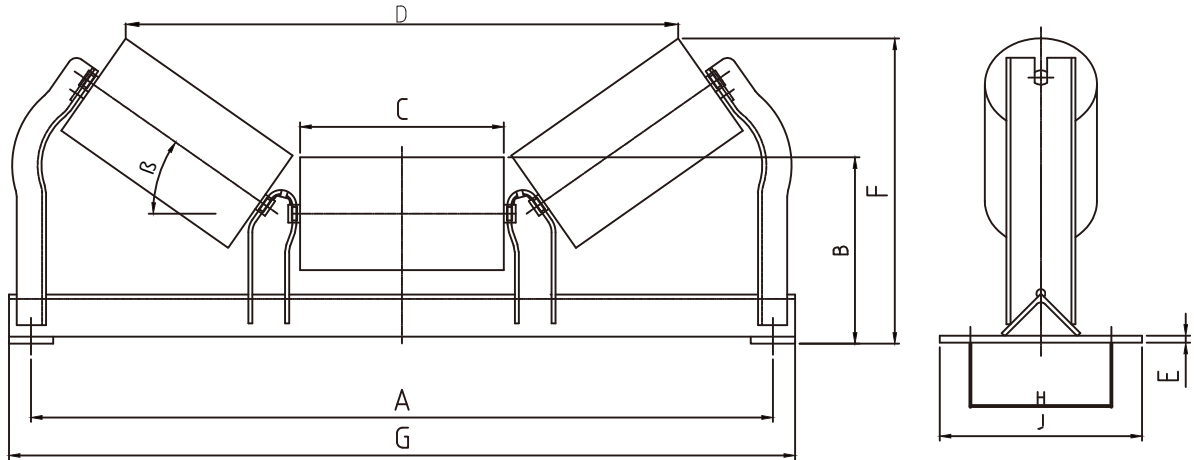
	PART NUMBER	BW	A	B	C	D	E	F	G	H	J	K	WT
5"	D5-20P-24	24	33	8 1/2	13	27 13/16	5/16	11	20	6	9 1/2	5/8	53
	D5-20P-30	30	39	8 9/16	19	33 4/5	5/16	11	41	6	9 1/2	5/8	65
	D5-20P-36	36	45	8 9/16	25	39 13/16	5/16	11	47	6	9 1/2	5/8	70
	D5-20P-42	42	51	8 15/16	30 3/4	46	5/16	11 1/16	53	6	9 1/2	5/8	85
	D5-20P-48	48	57	8 15/16	36 3/4	52	5/16	11 1/16	59	6	9 1/2	5/8	94
	D5-20P-54	54	63	9 5/16	42 1/2	58 1/8	3/8	11 1/8	65 1/2	9	11	5/8	107
	D5-20P-60	60	69	9 5/16	48 1/2	64 1/8	3/8	11 1/8	71 1/2	9	11	5/8	118
D5-20P-72	72	81	9 5/16	60 1/2	76 1/8	3/8	11 1/8	83 1/2	9	11	5/8	140	
6"	D6-20P-24	24	33	9	13	27 1/2	5/16	11 7/16	35	6	9 1/2	1/2	63
	D6-20P-30	30	39	9 1/16	19	33 1/2	5/16	11 7/16	41	6	9 1/2	1/2	74
	D6-20P-36	36	45	9 1/16	25	39 1/2	5/16	11 7/16	47	6	9 1/2	1/2	83
	D6-20P-42	42	51	9 7/16	30 3/4	45 3/4	5/16	11 9/16	53	6	9 1/2	5/8	100
	D6-20P-48	48	57	9 7/16	36 3/4	51 3/4	5/16	11 9/16	59	6	9 1/2	5/8	110
	D6-20P-54	54	63	9 13/16	42 1/2	58	3/8	11 11/16	65 1/2	9	11	5/8	125
	D6-20P-60	60	69	9 13/16	48 1/2	64	3/8	11 11/16	71 1/2	9	11	5/8	138
D6-20P-72	72	81	9 13/16	60 1/2	76	3/8	11 11/16	83 1/2	9	11	5/8	174	

TROUGHING IDLER (UNEQUAL LENGTH ROLLERS) - 5" & 6" DIAMETER



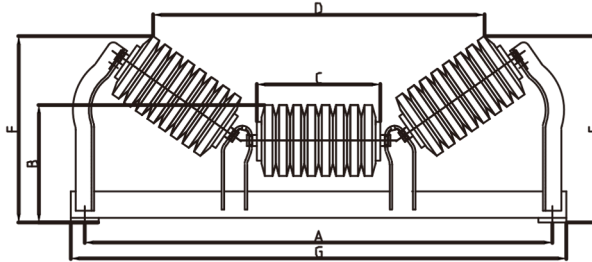
	35° PART NUMBER	45° PART NUMBER	BW	A	B	C		D		E	F		G	H	J	K	WT	
						35°	45°	35°	45°		35°	45°					35°	45°
5"	D5-35U-30	D5-45U-30	30	39	8 1/2	15 1/16	15 1/16	30 3/4	28 3/4	5/16	13 3/4	15 1/16	41	6	9 1/2		65	66
	D5-35U-36	D5-45U-36	36	45	8 1/2	21 1/3	21 1/3	37 1/16	35 1/8	5/16	13 3/4	15 1/16	47	6	9 1/2		72	73
	D5-35U-42	D5-45U-42	42	51	9	26 5/8	26 5/8	43 1/16	41 1/8	5/16	13 3/4	15 1/8	53	6	9 1/2		87	88
	D5-35U-48	D5-45U-48	48	57	9	32 3/8	32 3/8	49 1/16	47 1/8	5/16	13 3/4	15 1/8	59	6	9 1/2		95	96
	D5-35U-54	D5-45U-54	54	63	9 7/16	38 1/8	37 11/16	55 1/16	53 1/8	3/8	13 7/8	15 1/4	65	9	11		108	112
	D5-35U-60	D5-45U-60	60	69	9 7/16	44 1/8	43 11/16	61 1/16	59 1/9	3/8	13 15/16	15 1/4	71 1/2	9	11		120	121
	D5-35U-72	D5-45U-72	72	81	9 5/16	56 1/8	55 11/16	73	71 1/16	3/8	13 15/16	15 1/4	83 1/2	9	11		137	138
6"	D6-35U-30	D6-45U-30	30	39	9	15 1/16	15 1/16	30 1/8	28 1/16	5/16	14 1/4	15 7/16	41	6	9 1/2		77	79
	D6-35U-36	D6-45U-36	36	45	9	21 1/3	21 1/3	36 1/2	34 3/8	5/16	14 1/4	15 7/16	47	6	9 1/2		86	88
	D6-35U-42	D6-45U-42	42	51	9 1/2	26 5/8	26 5/8	42 1/2	40 3/8	5/16	14 1/4	15 1/2	53	6	9 1/2		102	103
	D6-35U-48	D6-45U-48	48	57	9 1/2	32 3/8	32 3/8	48 1/2	46 3/8	5/16	14 1/4	15 1/2	59	6	9 1/2		112	113
	D6-35U-54	D6-45U-54	54	63	9 15/16	38 1/8	37 11/16	54 1/2	52 3/8	3/8	14 5/16	15 5/8	65	9	11		127	130
	D6-35U-60	D6-45U-60	60	69	9 15/16	44 1/8	43 11/16	60 1/2	58 3/8	3/8	14 3/8	15 5/8	71 1/2	9	11		140	141
	D6-35U-72	D6-45U-72	72	81	9 15/16	56 1/8	55 11/16	72 1/2	70 1/2	3/8	14 3/8	15 5/8	83 1/2	9	11		161	161

TRoughing IDLER (EQUAL LENGTH ROLLERS) - 6" & 7" DIAMETER



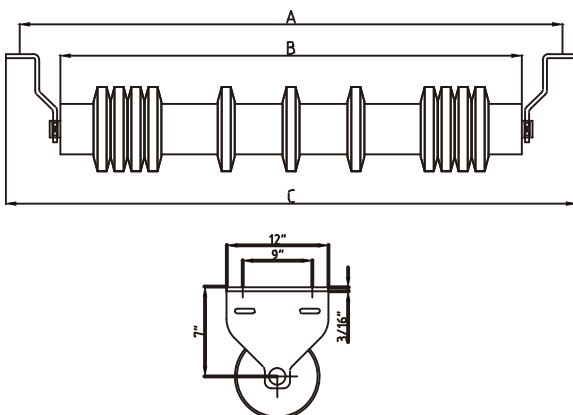
	PART NUMBER		BW	A	B		C	D		E	F		G	H	J	K	WT	
	6"	7"			6"	7"		6"	7"		6"	7"					6"	7"
20°	E6-20E-36	E7-20E-36	36	45	10 3/4	11 1/4	12 3/4	39 7/8	40 5/16	1/2	15 3/8	15 11/16	47 1/2	9 1/2	12	3/4	157	169
	E6-20E-42	E7-20E-42	42	51	10 3/4	11 1/4	14 3/4	45 5/8	46 1/16	1/2	16 3/16	16 1/2	53 1/2	9 1/2	12	3/4	174	187
	E6-20E-48	E7-20E-48	48	57	10 3/4	11 1/4	17 1/2	53 5/16	53 3/4	1/2	16 15/16	17 1/4	59 1/2	9 1/2	12	3/4	197	211
	E6-20E-54	E7-20E-54	54	63	10 3/4	11 1/4	19 1/2	59 1/8	59 9/16	1/2	17 5/8	17 15/16	65 1/2	9 1/2	12	3/4	213	228
	E6-20E-60	E7-20E-60	60	69	10 3/4	11 1/4	21 1/2	65 1/16	65 1/2	1/2	18 3/8	18 11/16	71 1/2	9 1/2	12	3/4	229	246
	E6-20E-72	E7-20E-72	72	81	11 1/2	12	25 1/2	76 3/8	76 13/16	1/2	20 7/16	20 3/4	83 1/2	9 1/2	12	3/4	264	283
	E6-20E-84	E7-20E-84	84	93	11 3/4	12 1/4	29 1/2	88 1/6	88 1/2	1/2	22 1/16	22 3/8	95 1/2	12	14	3/4	297	319
	E6-20E-96	E7-20E-96	96	105	11 3/4	12 1/4	33 1/2	99 5/8	100 1/16	1/2	23 7/16	23 3/4	107 1/2	12	14	3/4	330	355
35°	E6-35E-36	E7-35E-36	36	45	10 3/4	11 1/4	12 3/4	35 7/8	36 5/16	1/2	18 1/4	18 9/16	47 1/2	9 1/2	12	3/4	164	174
	E6-35E-42	E7-35E-42	42	51	10 3/4	11 1/4	14 3/4	41 3/16	41 5/8	1/2	19 3/8	19 11/16	53 1/2	9 1/2	12	3/4	180	193
	E6-35E-48	E7-35E-48	48	57	10 3/4	11 1/4	17 1/2	48 7/16	48 7/8	1/2	21	21 5/16	59 1/2	9 1/2	12	3/4	203	218
	E6-35E-54	E7-35E-54	54	63	11 1/4	11 1/4	19 1/2	53 3/4	54 3/16	1/2	22 1/8	22 7/16	65 1/2	9 1/2	12	3/4	220	236
	E6-35E-60	E7-35E-60	60	69	10 3/4	11 1/4	21 1/2	59	59 7/16	1/2	23 1/4	23 9/16	71 1/2	9 1/2	12	3/4	237	254
	E6-35E-72	E7-35E-72	72	81	11 1/2	12	25 1/2	69 1/2	69 15/16	1/2	26 3/16	16 1/2	83 1/2	9 1/2	12	3/4	273	292
	E6-35E-84	E7-35E-84	84	93	11 3/4	12 1/4	29 1/2	79 11/16	C 1/8	1/2	29 1/16	29 3/8	95 1/2	12	14	3/4	307	329
	E6-35E-96	E7-35E-96	96	105	11 3/4	12 1/4	33 1/2	90 5/8	D 1/16	1/2	31 1/8	21 7/16	107 1/2	12	14	3/4	341	366
45°	E6-45E-36	E7-45E-36	36	45	10 3/4	11 1/4	12 3/4	32 3/8	32 13/16	1/2	19 7/8	20 3/16	47 1/2	9 1/2	12	3/4	167	179
	E6-45E-42	E7-45E-42	42	51	10 3/4	11 1/4	14 3/4	37 3/16	37 5/8	1/2	21 5/16	21 5/8	53 1/2	9 1/2	12	3/4	185	198
	E6-45E-48	E7-45E-48	48	57	10 3/4	11 1/4	17 1/2	43 13/16	44 1/4	1/2	23 1/4	23 9/16	59 1/2	9 1/2	12	3/4	209	224
	E6-45E-54	E7-45E-54	54	63	10 3/4	11 1/4	19 1/2	48 5/8	49 1/16	1/2	24 5/8	24 15/16	65 1/2	9 1/2	12	3/4	226	242
	E6-45E-60	E7-45E-60	60	69	10 3/4	11 1/4	21 1/2	53 1/2	53 15/16	1/2	26 1/16	26 3/8	71 1/2	9 1/2	12	3/4	243	260
	E6-45E-72	E7-45E-72	72	81	11 1/2	12	25 1/2	63 1/8	63 9/16	1/2	29 5/8	29 15/16	83 1/2	9 1/2	12	3/4	280	299
	E6-45E-84	E7-45E-84	84	93	11 3/4	12 1/4	29 1/2	72 13/16	73 1/4	1/2	32 3/4	33 1/16	95 1/2	12	14	3/4	316	337
	E6-45E-96	E7-45E-96	96	105	11 3/4	12 1/4	33 1/2	82 1/4	82 11/16	1/2	35 9/16	35 7/8	107 1/2	12	14	3/4	350	374

RUBBER CUSHION IMPACT TROUGHING IDLER- 6" & 7" DIAMETER



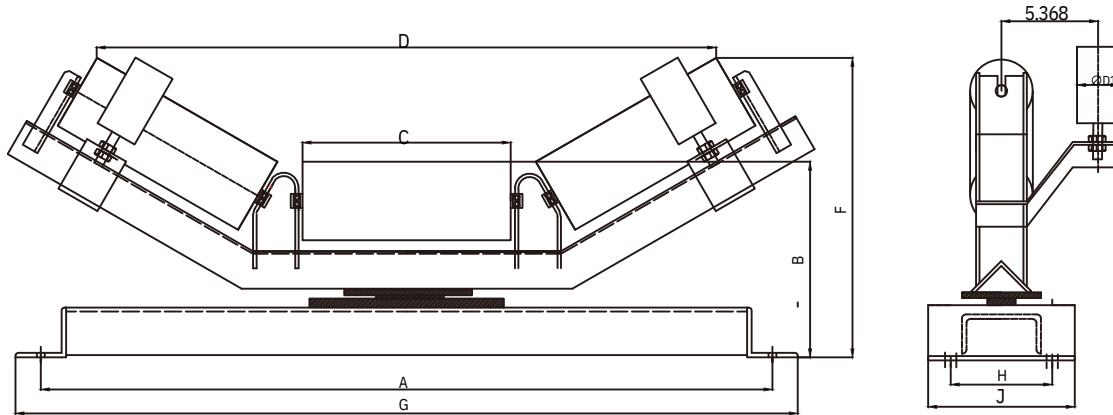
	PART NUMBER		BW	A	B		C	D	E	F		G	H	J	K	WT	
	6"	7"			6"	7"				6"	7"					6"	7"
20°	E6-20EI-36	E7-20EI-36	36	45	10 3/4	11 1/4	13 1/16	41	1/2	15 3/8	15 11/16	47 1/2	9 1/2	12	3/4	148	163
	E6-20EI-42	E7-20EI-42	42	51	10 3/4	11 1/4	15 1/16	46 3/4	1/2	16 3/16	16 1/2	53 1/2	9 1/2	12	3/4	165	181
	E6-20EI-48	E7-20EI-48	48	57	10 3/4	11 1/4	17 13/16	54 7/16	1/2	17	17 1/4	59 1/2	9 1/2	12	3/4	188	205
	E6-20EI-54	E7-20EI-54	54	63	10 3/4	11 1/4	19 13/16	60 1/4	1/2	17 5/8	17 15/16	65 1/2	9 1/2	12	3/4	204	222
	E6-20EI-60	E7-20EI-60	60	69	10 3/4	11 1/4	21 13/16	66 3/16	1/2	18 3/8	18 11/16	71 1/2	9 1/2	12	3/4	220	240
	E6-20EI-72	E7-20EI-72	72	81	11 1/2	12	25 13/16	77 1/2	1/2	20 7/16	20 3/4	83 1/2	9 1/2	12	3/4	255	277
	E6-20EI-84	E7-20EI-84	84	93	11 3/4	12 1/4	29 13/16	89 3/16	1/2	22 1/16	22 3/8	95 1/2	12	14	3/4	288	313
	E6-20EI-96	E7-20EI-96	96	105	11 3/4	12 1/4	33 13/16	100 3/4	1/2	23 7/16	23 3/4	107 1/2	12	14	3/4	321	349
35°	E6-35EI-36	E7-35EI-36	36	45	10 3/4	11 1/4	13 1/16	37 1/8	1/2	18 1/4	18 9/16	47 1/2	9 1/2	12	3/4	155	168
	E6-35EI-42	E7-35EI-42	42	51	10 3/4	11 1/4	15 1/16	42 7/16	1/2	19 3/8	19 11/16	53 1/2	9 1/2	12	3/4	171	187
	E6-35EI-48	E7-35EI-48	48	57	10 3/4	11 1/4	17 13/16	49 11/16	1/2	21	21 5/16	59 1/2	9 1/2	12	3/4	194	212
	E6-35EI-54	E7-35EI-54	54	63	10 3/4	11 1/4	19 13/16	55	1/2	22 1/8	22 7/16	65 1/2	9 1/2	12	3/4	211	230
	E6-35EI-60	E7-35EI-60	60	69	10 3/4	11 1/4	21 13/16	60 1/4	1/2	23 1/4	23 9/16	71 1/2	9 1/2	12	3/4	228	248
	E6-35EI-72	E7-35EI-72	72	81	11 1/2	12	25 13/16	70 3/4	1/2	26 3/16	26 1/2	83 1/2	9 1/2	12	3/4	264	286
	E6-35EI-84	E7-35EI-84	84	93	11 3/4	12 1/4	29 13/16	81 15/16	1/2	29 1/16	29 3/8	95 1/2	12	14	3/4	298	323
	E6-35EI-96	E7-35EI-96	96	105	11 3/4	12 1/4	33 13/16	91 7/8	1/2	31 1/8	31 7/16	107 1/2	12	14	3/4	332	360
45°	E6-45EI-36	E7-45EI-36	36	45	10 3/4	10 3/4	13 1/16	33 7/8	1/2	19 7/8	20 3/16	47 1/2	9 1/2	12	3/4	158	173
	E6-45EI-42	E7-45EI-42	42	51	10 3/4	10 3/4	15 1/16	38 2/3	1/2	21 5/16	21 5/8	53 1/2	9 1/2	12	3/4	676	192
	E6-45EI-48	E7-45EI-48	48	57	10 3/4	10 3/4	17 13/16	45 5/16	1/2	23 1/4	23 9/16	59 1/2	9 1/2	12	3/4	200	218
	E6-45EI-54	E7-45EI-54	54	63	10 3/4	10 3/4	19 13/16	50 1/8	1/2	24 5/8	24 15/16	65 1/2	9 1/2	12	3/4	217	236
	E6-45EI-60	E7-45EI-60	60	69	10 3/4	10 3/4	21 13/16	55	1/2	26 1/16	26 3/8	71 1/2	9 1/2	12	3/4	234	254
	E6-45EI-72	E7-45EI-72	72	81	11 1/2	11 1/2	25 13/16	64 5/8	1/2	29 5/8	29 15/16	83 1/2	9 1/2	12	3/4	271	293
	E6-45EI-84	E7-45EI-84	84	93	11 3/4	11 3/4	29 13/16	74 5/16	1/2	32 3/4	33 1/16	95 1/2	12	14	3/4	307	331
	E6-45EI-96	E7-45EI-96	96	105	11 3/4	11 3/4	33 13/16	83 3/4	1/2	35 9/16	35 7/8	107 1/2	12	14	3/4	341	368

6" & 7" DIAMETER - RUBBER CUSHION RETURN IDLERS



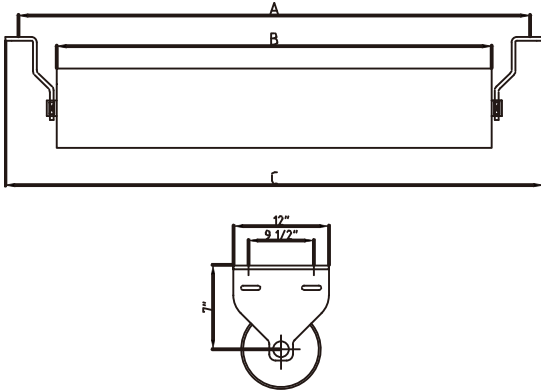
6" PART NUMBER	7" PART NUMBER	BW	A	B	C	WT	
						6"	7"
E6-RETI-36	E7-RETI-36	36	45	38 5/16	48	73	81
E6-RETI-42	E7-RETI-42	42	51	44 5/16	54	83	92
E6-RETI-48	E7-RETI-48	48	57	50 5/16	60	95	100
E6-RETI-54	E7-RETI-54	54	63	56 5/16	66	103	112
E6-RETI-60	E7-RETI-60	60	69	62 5/16	72	112	124
E6-RETI-72	E7-RETI-72	72	81	74 5/16	84	130	145
E6-RETI-84	E7-RETI-84	84	93	86 5/16	96	150	165
E6-RETI-96	E7-RETI-96	96	105	98 5/16	108	168	184

SELF-ALIGNING TROUGHING IDLER- 6" & 7" DIAMETER



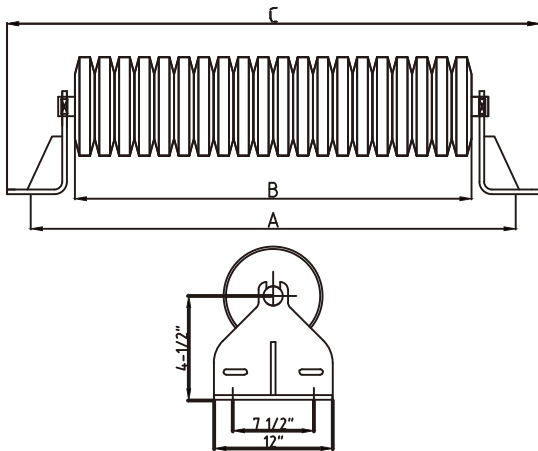
	PART NUMBER		BW	A	B		C	D	E	F		G	H	J	K	WT	
	6"	7"			6"	7"				6"	7"					6"	7"
20°	E6-20EA-36	E7-20EA-36	36	45	9 7/8	12 3/8	12 3/4	21 5/16	30 5/8	12 5/16	16 13/16	28 7/8	9 1/2	11 1/2	5/8	240	251
	E6-20EA-42	E7-20EA-42	42	51	9 7/8	12 3/8	14 3/4	27 1/16	36 3/8	13	17 1/8	34 7/8	9 1/2	11 1/2	5/8	266	279
	E6-20EA-48	E7-20EA-48	48	57	9 15/16	12 3/8	17 1/2	32 13/16	42 3/16	13 3/4	18 3/8	40 7/8	9 1/2	11 1/2	5/8	291	306
	E6-20EA-54	E7-20EA-54	54	63	9 15/16	12 3/8	19 1/2	38 9/16	47 15/16	14 7/16	19 1/16	46 7/8	9 1/2	11 1/2	5/8	315	331
	E6-20EA-60	E7-20EA-60	60	69	10 5/16	12 3/8	21 1/2	44 5/16	53 15/16	15 1/2	19 3/16	52 7/8	9 1/2	11 1/2	5/8	339	356
	E6-20EA-72	E7-20EA-72	72	81	10 5/16	13 1/8	25 1/2	50 1/16	59 1/16	16 3/16	21 7/8	58 7/8	9 1/2	11 1/2	5/8	384	403
	E6-20EA-84	E7-20EA-84	84	93	10 7/16	13 1/8	29 1/2	55 13/16	65 7/16	17	23 1/2	64 7/8	12	11 1/2	5/8	432	454
	E6-20EA-96	E7-20EA-96	96	105	10 7/16	13 1/8	33 1/2	61 9/16	71 3/16	17 11/16	24 7/8	70 7/8	12	11 1/2	5/8	476	500
35°	E6-35EA-36	E7-35EA-36	36	45	9 7/8	12 3/8	12 3/4	55 3/16	1 9/16	14 1/16	19 11/16	28 7/8	9 1/2	11 1/2	5/8	245	256
	E6-35EA-42	E7-35EA-42	42	51	9 7/8	12 3/8	14 3/4	60 11/16	1 9/16	15 1/4	20 13/16	34 7/8	9 1/2	11 1/2	5/8	271	284
	E6-35EA-48	E7-35EA-48	48	57	9 15/16	12 3/8	17 1/2	67 7/8	1 9/16	16 7/16	22 7/16	40 7/8	9 1/2	11 1/2	5/8	296	311
	E6-35EA-54	E7-35EA-54	54	63	9 15/16	12 3/8	19 1/2	73 1/8	1 9/16	17 9/16	23 9/16	46 7/8	9 1/2	11 1/2	5/8	320	336
	E6-35EA-60	E7-35EA-60	60	69	10 5/16	12 3/8	21 1/2	78 7/16	1 9/16	19 1/16	24 11/16	52 7/8	9 1/2	11 1/2	5/8	344	361
	E6-35EA-72	E7-35EA-72	72	81	10 5/16	13 1/8	25 1/2	88 7/16	1 9/16	20 1/4	27 5/8	58 7/8	9 1/2	11 1/2	5/8	390	409
	E6-35EA-84	E7-35EA-84	84	93	10 7/16	13 1/8	29 1/2	99 1/2	1 9/16	21 1/2	30 1/2	64 7/8	12	11 1/2	5/8	438	460
	E6-35EA-96	E7-35EA-96	96	105	10 7/16	13 1/8	33 1/2	110 1/16	1 9/16	22 11/16	32 9/16	70 7/8	12	11 1/2	5/8	482	506
45°	E6-45EA-36	E7-45EA-36	36	45	9 7/8	12 3/8	12 3/4	57 3/8	1 9/16	14 7/8	21 5/16	28 7/8	9 1/2	11 1/2	5/8	250	261
	E6-45EA-42	E7-45EA-42	42	51	9 7/8	12 3/8	14 3/4	62 1/4	1 9/16	16 5/16	22 3/4	34 7/8	9 1/2	11 1/2	5/8	276	289
	E6-45EA-48	E7-45EA-48	48	57	9 15/16	12 3/8	17 1/2	68 7/8	1 9/16	17 3/4	24 11/16	40 7/8	9 1/2	11 1/2	5/8	301	316
	E6-45EA-54	E7-45EA-54	54	63	9 15/16	12 3/8	19 1/2	73 11/16	1 9/16	19 1/8	26 1/16	46 7/8	9 1/2	11 1/2	5/8	325	341
	E6-45EA-60	E7-45EA-60	60	69	10 5/16	12 3/8	21 1/2	78 1/2	1 9/16	20 15/16	27 1/2	52 7/8	9 1/2	11 1/2	5/8	349	366
	E6-45EA-72	E7-45EA-72	72	81	10 5/16	13 1/8	25 1/2	88 3/16	1 9/16	22 3/8	31 1/16	58 7/8	9 1/2	11 1/2	5/8	396	415
	E6-45EA-84	E7-45EA-84	84	93	10 7/16	13 1/8	29 1/2	97 13/16	1 9/16	23 7/8	34 3/16	64 7/8	12	11 1/2	5/8	445	467
	E6-45EA-96	E7-45EA-96	96	105	10 7/16	13 1/8	33 1/2	104 7/8	1 9/16	25 5/16	37	70 7/8	12	11 1/2	5/8	482	506

RETURN IDLERS - 6" & 7" DIAMETER



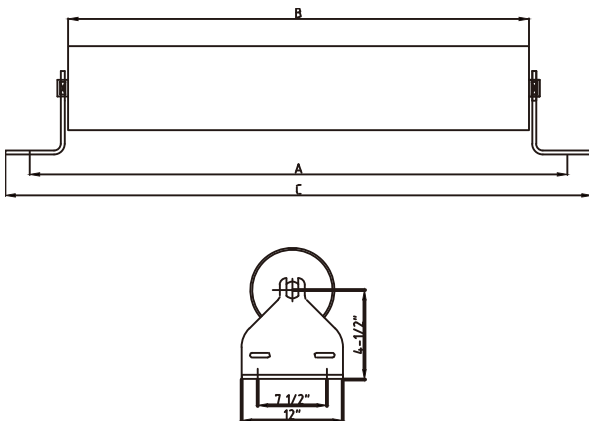
6" PART NUMBER	7" PART NUMBER	BW	A	B	C	WT*	
						6"	7"
E6 - RET- 3 6	E7-RET-36	36	45	39	48	103	103
E6-RET-42	E7 - RET- 4	42	51	45	54	116	116
E6-RET-48 E6	2 E7-RET-48	48	57	51	60	129	129
- RET- 5 4 E6	E7-RET-54	54	63	57	66	132	132
- RET- 6 0 E6	E7-RET-60	60	69	63	72	145	145
- RET- 7 2 E6-	E7 - RET- 7	72	81	75	84	171	171
RET-84 E6 -	2 E7-RET-84	84	93	87	96	197	197
RET- 9 6	E7-RET-96	96	105	99	108	223	223

RUBBER CUSHION FLAT IDLERS - 6" & 7" DIAMETER



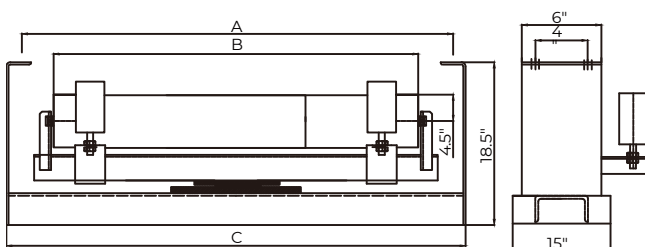
6" PART NUMBER	7" PART NUMBER	BW	A	B	C	WT*	
						6"	7"
E6-FLTI-36	E7-FLTI-36	36	45	38 5/16	47 1/2	81	93
E6-FLTI-42	E7-FLTI-42	42	51	44 5/16	53 1/2	93	107
E6-FLTI-48	E7-FLTI-48	48	57	50 5/16 56	59 1/2	104	120
E6-FLTI-54	E7-FLTI-54	54	63	56 5/16 56	65 1/2	116	134
E6-FLTI-60	E7-FLTI-60	60	69	62 5/16	71 1/2	128	148
E6-FLTI-72	E7-FLTI-72	72	81	74 5/16	83 1/2	151	175
E6-FLTI-84	E7-FLTI-84	84	93	86 5/16	95 1/2	175	202
E6-FLTI-96	E7-FLTI-96	96	105	98 5/16	107 1/2	198	229

FLAT IDLERS - 6" & 7" DIAMETER



6" PART NUMBER	7" PART NUMBER	BW	A	B	C	WT*	
						6"	7"
E6-FLT-36	E7-FLT-36	36	45	39	47 1/2	83	103
E6-FLT-42	E7-FLT-42	42	51	45	53 1/2	95	116
E6-FLT-48	E7-FLT-48	48	57	51	59 1/2	107	129
E6-FLT-54	E7-FLT-54	54	63	57	65 1/2	118	132
E6-FLT-60	E7-FLT-60	60	69	63	71 1/2	130	145
E6-FLT-72	E7-FLT-72	72	81	75	83 1/2	154	171
E6-FLT-84	E7-FLT-84	84	93	87	95 1/2	177	197
E6-FLT-96	E7-FLT-96	96	105	99	107 1/2	200	223

RETURN ALIGNING IDLERS - 6" & 7" DIAMETER



6" PART NUMBER	7" PART NUMBER	BW	A	B	C	D	WT*	
							6"	7"
E6-RETA-36	E7-RETA-36	36	45	39	48 1/2	40 5/8	246	270
E6-RETA-42	E7-RETA-42	42	51	45	54 1/2	46 5/8	269	290
E6-RETA-48	E7-RETA-48	48	57	51	60 1/2	52 5/8	292	314
E6-RETA-54	E7-RETA-54	54	63	57	66 1/2	58 5/8	314	328
E6-RETA-60	E7-RETA-60	60	69	63	72 1/2	64 5/8	337	352
E6-RETA-72	E7-RETA-72	72	81	75	84 1/2	76 5/8	383	400
E6-RETA-84	E7-RETA-84	84	93	87	96 1/2	88 5/8	428	448
E6-RETA-96	E7-RETA-96	96	105	99	108 1/2	100 5/8	473	496

CE MA B & CEMA C Replacement Idler Roller



CEMA B REPLACEMENT IDLER ROLLERS:

	Belt Width	Assuembled Roll Approx. Length	4" Dia.Roll Part Number	Weight	5" Dia Roll Part Number	Weight
Equal Length Idler Rolls	14 & 16	6 1/16	B4-14	4	B5-14	6
	18	7 1/16	B4-18	5	B5-18	7
	20	7 11/16	B4-20	5	B5-20	7
	24	9 1/16	B4-24	6	B5-24	8
	30	11 1/16	B4-30	7	B5-30	10
	36	13 1/16	B4-36	8	B5-36	11
	42	15 1/16	B4-42	9	B5-42	13
Rubber Impact Idler Rolls	48	17 1/16	B4-48	11	B5-48	14
	18	7 1/16	B4-EI-18	6	B5-EI-18	9
	20	7 11/16	B4-EI-20	7	B5-EI-20	10
	24	9 1/16	B4-EI-24	8	B5-EI-24	11
	30	11 1/16	B4-EI-30	10	B5-EI-30	13
	36	13 1/16	B4-EI-36	12	B5-EI-36	16
	42	15 1/16	B4-EI-42	14	B5-EI-42	18
48	17 1/16	B4-EI-48	18	B5-EI-48	21	

CEMA C REPLACEMENT IDLER ROLLERS:

	Belt Width	Assuembled Roll Approx. Length	4" Dia.Roll Part Number	Weight	5" Dia Roll Part Number	Weight	6" Dia Roll Part Number	Weight
Equal Length Idler Rolls	18	7 1/16	C4-18	6	C5-18	8	C6-18	9
	24	9 1/16	C4-24	7	C5-24	9	C6-24	11
	30	11 1/16	C4-30	8	C5-30	11	C6-30	12
	36	13 1/16	C4-36	9	C5-36	12	C6-36	13
	42	15 1/16	C4-42	10	C5-42	13	C6-42	15
	48	17 1/16	C4-48	11	C5-48	15	C6-48	17
	54	19 1/16	C4-54	12	C5-54	16	C6-54	19
Rubber Impact Idler Rolls	60	21 1/16	C4-60	13	C5-60	18	C6-60	21
	18	7 1/16	C4-EI-18	8	C5-EI-18	10	C6-EI-18	12
	24	9 1/16	C4-EI-24	10	C5-EI-24	12	C6-EI-24	15
	30	11 1/16	C4-EI-30	12	C5-EI-30	14	C6-EI-30	17
	36	13 1/16	C4-EI-36	14	C5-EI-36	16	C6-EI-36	19
	42	15 1/16	C4-EI-42	17	C5-EI-42	19	C6-EI-42	22
	48	17 1/16	C4-EI-48	19	C5-EI-48	21	C6-EI-48	26
54	19 1/16	C4-EI-54	21	C5-EI-54	24	C6-EI-54	27	
60	21 1/16	C4-EI-60	24	C5-EI-60	26	C6-EI-60	28	



CEMA D REPLACEMENT IDLER ROLLS

	Belt Width	Assuembled Roll Approx. Length	5" Dia.Roll Part Number	Weight	6" Dia Roll Part Number	Weight
Equal Length Idler Rolls	18	7 1/16	D5-18	8	D6-18	9
	24	9 1/16	D5-24	9	D6-24	11
	30	11 1/16	D5-30	11	D6-30	12
	36	13 1/16	D5-36	12	D6-36	13
	42	15 1/16	D5-42	13	D6-42	15
	48	17 1/16	D5-48	15	D6-48	17
	54	19 1/16	D5-54	16	D6-54	19
	60	21 1/16	D5-60	18	D6-60	21
	72	25 1/16	D5-72	23	D6-72	27
Rubber Impact Idler Rolls	18	7 1/16	D5-EI-18	10	D6-EI-18	12
	24	9 1/16	D5-EI-24	12	D6-EI-24	15
	30	11 1/16	D5-EI-30	14	D6-EI-30	17
	36	13 1/16	D5-EI-36	16	D6-EI-36	19
	42	15 1/16	D5-EI-42	19	D6-EI-42	22
	48	17 1/16	D5-EI-48	21	D6-EI-48	26
	54	19 1/16	D5-EI-54	24	D6-EI-54	27
	60	21 1/16	D5-EI-60	26	D6-EI-60	28
	72	25 1/16	D5-EI-72	31	D6-EI-72	34

CEMA E REPLACEMENT IDLER ROLLS

	Belt Width	Assuembled Roll Approx. Length	6" Dia.Roll Part Number	Weight	7" Dia Roll Part Number	Weight
Equal Length Idler Rolls	36	12-3/4	E6-36	32	E7-36	36
	42	14-3/4	E6-42	36	E7-42	40
	48	17-1/2	E6-48	41	E7-48	46
	54	19-1/2	E6-54	45	E7-54	51
	60	21-1/2	E6-60	49	E7-60	55
	72	25-1/2	E6-72	57	E7-72	64
	84	29-1/2	E6-84	65	E7-84	72
	96	33-1/2	E6-96	73	E7-96	81
Rubber Impact Idler Rolls	36	12-3/4	E6-EI-36	29	E7-EI-36	33
	42	14-3/4	E6-EI-42	33	E7-EI-42	37
	48	17-1/2	E6-EI-48	39	E7-EI-48	44
	54	19-1/2	E6-EI-54	43	E7-EI-54	49
	60	21-1/2	E6-EI-60	47	E7-EI-60	53
	72	25-1/2	E6-EI-72	54	E7-EI-72	62
	84	29-1/2	E6-EI-84	62	E7-EI-84	71
	96	33-1/2	E6-EI-96	70	E7-EI-96	80



Contactanos:

www.Nemin.com.mx

Ventas@Nemin.com.mx



Nemin
NEGOCIOS ESTRATÉGICOS MINEROS